



**MARINE**

**ILLUSTRATED**

**PARTS MANUAL**

**MODEL MP5.0/5.7L**

**MY 2002 - 2005**



This Page Was  
Intentially  
Left Blank

**Contents:**

Symbols .....	2
Maintenance Item Part Numbers .....	3
Cylinder Block Assembly - Figure 1 .....	4
Cylinder Head Assembly - Figure 2 .....	8
Intake Manifold Assembly - Figure 3 .....	10
Intake Manifold Components - Figure 4 .....	12
Oil Pan and Oil Pump Assembly - Figure 5 .....	14
Throttle Body and Related Components - Figure 6 .....	16
Remote Oil Filter Components ('02-'03) DIRECT DRIVE - Figure 7 .....	18
Remote Oil Filter Components ('02-'04) V-DRIVE - Figure 8 .....	20
Remote Oil Filter Components ('02-'03) - Figure 9 .....	22
Remote Oil Filter Components ('04) DIRECT DRIVE - Figure 10 .....	24
Fuel Control Cell (FCC) Components ('02-'03) DIRECT DRIVE - Figure 11 .....	26
Fuel Control Cell (FCC) Components ('02-'03) DIRECT DRIVE - Figure 12 .....	28
Fuel Control Cell (FCC) Components ('05) - Figure 13 .....	30
Fuel Control Cell (FCC) Components ('02-'03) V-DRIVE - Figure 14 .....	32
Fuel Control Cell (FCC) Components ('04) V-DRIVE - Figure 15 .....	34
Fuel Control Cell (FCC) Components ('05) V-DRIVE - Figure 16 .....	36
Heat Exchanger and Components ('02-'03) - Figure 17 .....	38
Heat Exchanger and Components ('04) - Figure 18 .....	40
Fresh Water Cooling System Components (Crank-Driven RWP) - Figure 19 .....	42
Fresh Water Cooling System Components (Belt-Driven RWP) - Figure 20 .....	44
Fresh Water Cooling System Components (Serpentine RWP) - Figure 21 .....	46
Raw Water Cooling System Components (Belt-Driven RWP) - Figure 22 .....	48
Raw Water Cooling System Components (Crank-Driven RWP) - Figure 23 .....	50
Raw Water Cooling System Components (Serpentine RWP) - Figure 24 .....	52
Exhaust Manifold and Components - Figure 25 .....	54
Raw Water Cooling Pump (Belt-Driven) - Figure 26 .....	56
Raw Water Cooling Pump (Crank-Driven) - Figure 27 .....	58
Raw Water Cooling Pump (Serpentine) - Figure 28 .....	60
Wiring Harness Assemblies and Senders - Figure 29 .....	62
ECM and Relays - Figure 30 .....	64
Accessory Drive System Components (Belt-Driven RWP) - Figure 31 .....	66
Accessory Drive System Components (Crank-Driven RWP) - Figure 32 .....	70
Accessory Drive System Components (Serpentine RWP) - Figure 33 .....	72
Starter Assembly Components - Figure 34 .....	74
Engine and Transmission Mounts - Figure 35 .....	76
Bellhousing Assembly - Figure 36 .....	78
Transmission and Related Parts (1.23:1 FWC) - Figure 37 .....	80
Transmission and Related Parts (1.23:1 RWC) - Figure 38 .....	82
Transmission and Related Parts (1:1 V-Drive) - Figure 39 .....	84

**“TYPICAL VIEWS ARE SHOWN”**

**ENGINE ROTATION**

Engine Rotation is identified as “RH” or “LH” with the engine model number. Rotation always is determined from the flywheel end looking toward the front of the engine. In some instances, propeller shaft rotation may be opposite to that of the engine.

When ordering a replacement engine, production block or parts for the engine, be certain to check engine rotation. **DO NOT rely on propeller rotation in order to determine engine rotation.**

**LEFT-HAND ROTATION is STANDARD ROTATION.**

(Flywheel turns counterclockwise when viewed from flywheel end of the engine.)

**RIGHT-HAND ROTATION is OPPOSITE ROTATION.**

(Flywheel turns clockwise when viewed from flywheel end of the engine.)

**HOW TO READ THIS PARTS BOOK:**

ITEM	PART NUMBER	DESCRIPTION	QUANTITY
1	RB001005I	<b>Base Engine Assembly, 5.7L</b>	1

- ① ITEM NUMBER - This number corresponds with the number in the exploded view on the facing page.
- ② PART NUMBER - This is the designated part number for the particular component or assembly.
- ③ DESCRIPTION - This identifies what the component or assembly is.
- ④ QUANTITY - This refers to the number of pieces used.

=====

Symbols shown throughout parts list are defined here or on the bottom of the individual parts list page.

- AR = As Required
  - OPT = Optional
  - NSS = Not Serviced Separately
  - NA = Not Available
  - OS = Oversize
  - US = Undersize
  - NS = Not Shown
  - TBD = To Be Determined
  - NI = Not Illustrated
- =====

**REPLACEMENT PARTS:****WARNING:**

Electrical, ignition and fuel system components on PCM Engines are designed and manufactured to comply with U.S. Coast Guard rules and regulations to minimize risks of fire or explosion.

Use of replacement electrical, ignition and fuel system components which do not comply with these rules and regulations could result in a fire or explosion hazard and should be avoided.

**MAINTENANCE ITEM PART NUMBERS:**

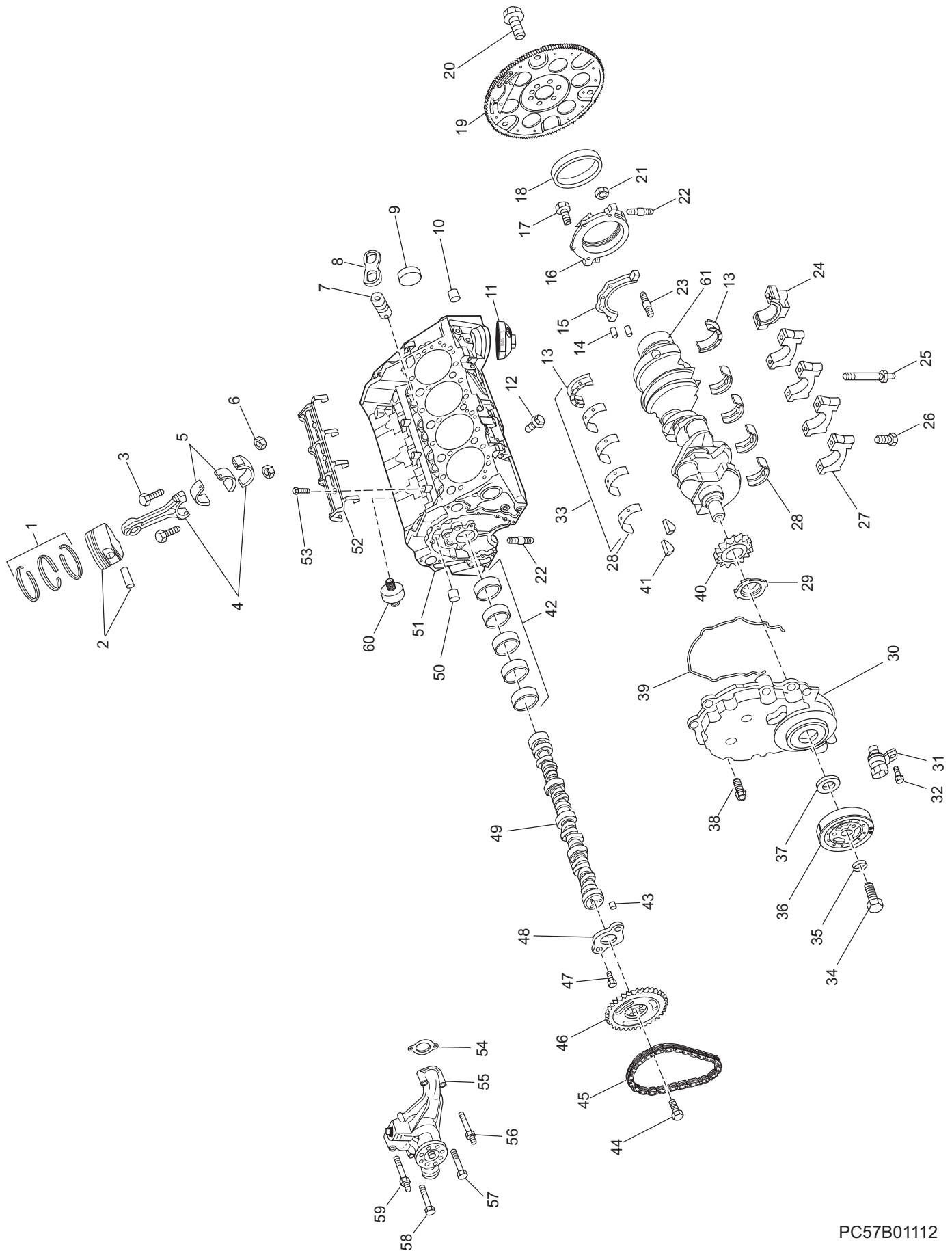
Description	Part Number
Oil Filter	R077001
Kit, Transmission Oil Filter (ZF)	RP077011
Fuel Filter (FCC)	RP080026
Spark Plugs	RP030010
Spark Plug Wire Set	RK120018
Alternator Drive Belt (V-belt applications)	R066008
Raw Water Pump Drive Belt (Belt-Driven Pump)	R066026
Drive Belt Set, (5.0/5.7L)	RP066008/26
Serpentine Belt	R066028
Impeller Kit (Belt or Crank Driven Raw Water Pump)	RP061017
Impeller Kit (Serpentine Raw Water Pump)	RP061022
Oil Drain Kit	RK024179
Exhaust Service Kit, 5.0/5.7L	RP173091

**MARINE TRANSMISSIONS:**

PCM Engines are equipped with PCM or Hurth Transmissions, standard or "V"-drives. If transmission parts are required, contact your dealer or closest PCM Parts Distributor for required parts.

Parts manuals and overhaul manuals are available through PCM Distributors.

CYLINDER BLOCK ASSEMBLY - FIGURE 1

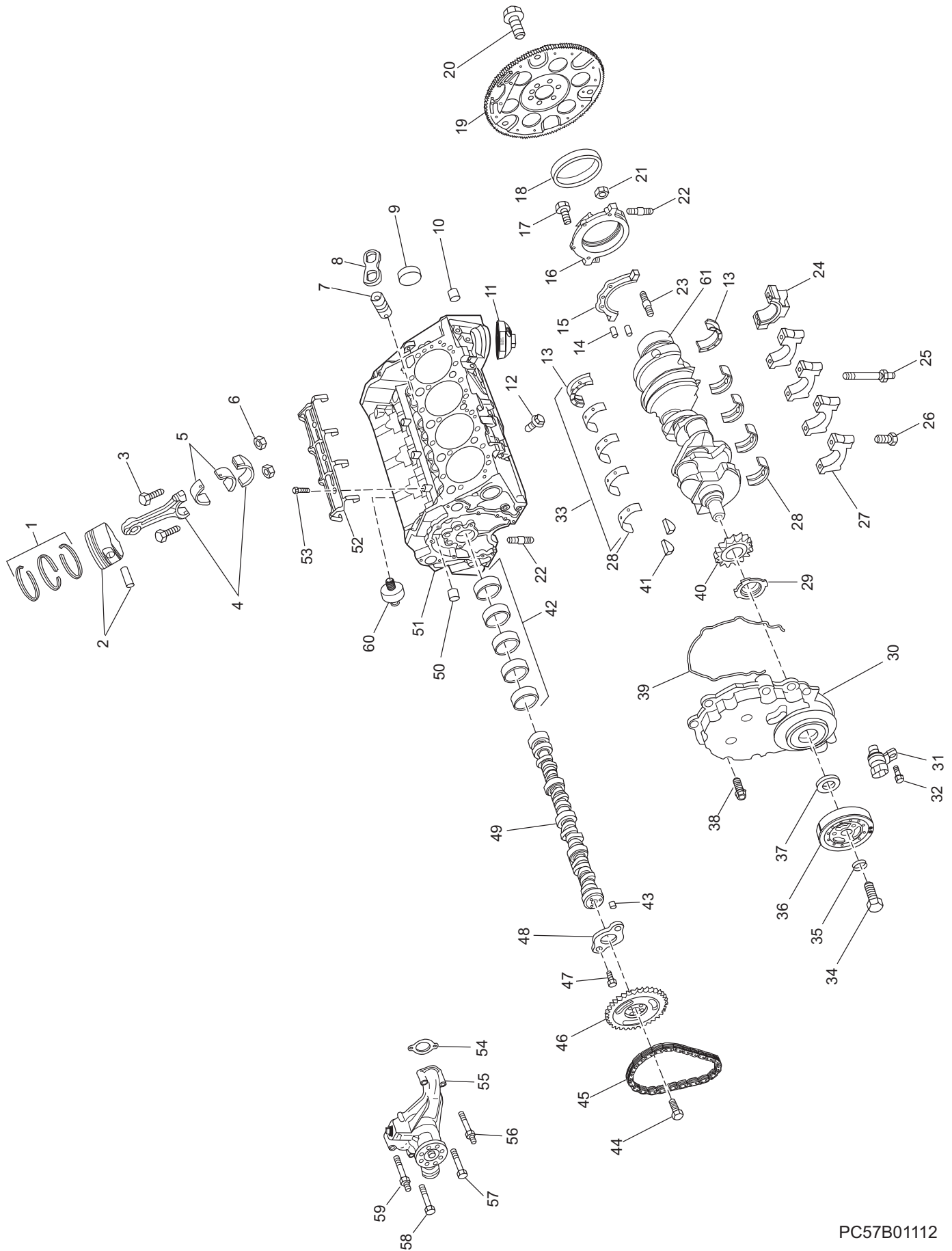


PC57B01112

## CYLINDER BLOCK ASSEMBLY - FIGURE 1

ITEM	PART NUMBER	DESCRIPTION	QUANTITY
*	RB001004B	<b>5.0L Base Engine Assembly</b>	
*	RB001005I	<b>5.7L Base Engine Assembly</b>	
1	R015013	<b>Ring Set</b> , piston 5.7L (STD)	8
1	R015006	<b>Ring Set</b> , piston 5.0L (STD)	8
2	RA013016	<b>Piston</b> , 5.7L (STD)	8
2	RA013017	<b>Piston</b> , 5.0L (STD)	8
3	TBD	<b>Bolt</b> , connecting rod cap	16
4	RA011012	<b>Connecting Rod</b> (STD)	8
5	R007023	<b>Bearing Set</b> , connecting rod (STD)	8
6	TBD	<b>Nut</b> , connecting rod cap	16
7	R035038	<b>Lifter</b> , valve	16
8	R037001	<b>Guide</b> , valve lifter	8
9	R069064	<b>Plug</b> , camshaft	1
10	TBD	<b>Plug</b> , oil gallery	
11	R079051	<b>Adapter</b> , oil bypass	1
12	TBD	<b>Plug</b> , engine block coolant drain hole	2
13	TBD	<b>Bearing</b> , crankshaft rear main (STD)	1
13	TBD	<b>Bearing</b> , crankshaft rear main (.001 US)	AR
13	TBD	<b>Bearing</b> , crankshaft rear main (.010 US)	AR
13	TBD	<b>Bearing</b> , crankshaft rear main (.020 US)	AR
14	TBD	<b>Pin</b> , flywheel locating	2
15	TBD	<b>Gasket</b> , crankshaft rear oil seal housing	1
16	R134070	<b>Housing</b> , crankshaft rear oil seal	1
17	TBD	<b>Bolt</b> , crankshaft rear oil seal housing, short	2
17	TBD	<b>Bolt</b> , crankshaft rear oil seal housing, long	1
18	R047173A	<b>Seal</b> , crankshaft rear oil	1
19	RA138008	<b>Flywheel Assembly</b> (Top Mount Starter)	AR
19	RA138010	<b>Flywheel Assembly</b> (Bottom Mount Starter)	1
20	TBD	<b>Bolt</b> , flywheel attaching	6
21	TBD	<b>Nut</b> , crankshaft rear oil seal housing	2
22	TBD	<b>Stud</b> , crankshaft rear oil seal housing	2
23	TBD	<b>Stud</b> , crankshaft rear oil seal housing	2
24	NSS	<b>Cap</b> , crankshaft bearing #5	1
25	TBD	<b>Stud</b> , crankshaft bearing cap	5
26	TBD	<b>Bolt</b> , crankshaft bearing cap	5
27	NSS	<b>Cap</b> , crankshaft bearing #1 - #4	4
28	TBD	<b>Bearing</b> , crankshaft main (STD)	4
28	TBD	<b>Bearing</b> , crankshaft main (.002 US)	AR
28	TBD	<b>Bearing</b> , crankshaft main (.010 US)	AR
28	TBD	<b>Bearing</b> , crankshaft main (.020 US)	AR
29	R056001	<b>Ring</b> , crankshaft position sensor reluctor	1

CYLINDER BLOCK ASSEMBLY - FIGURE 1 (cont'd)



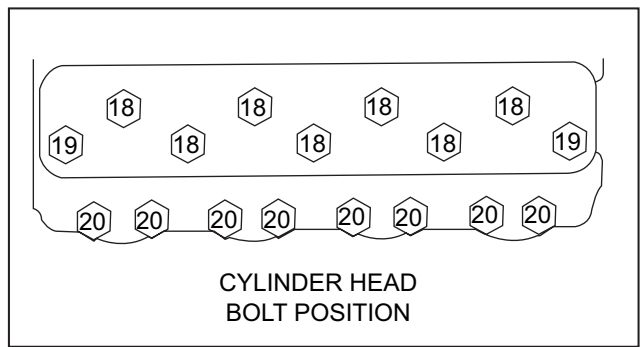
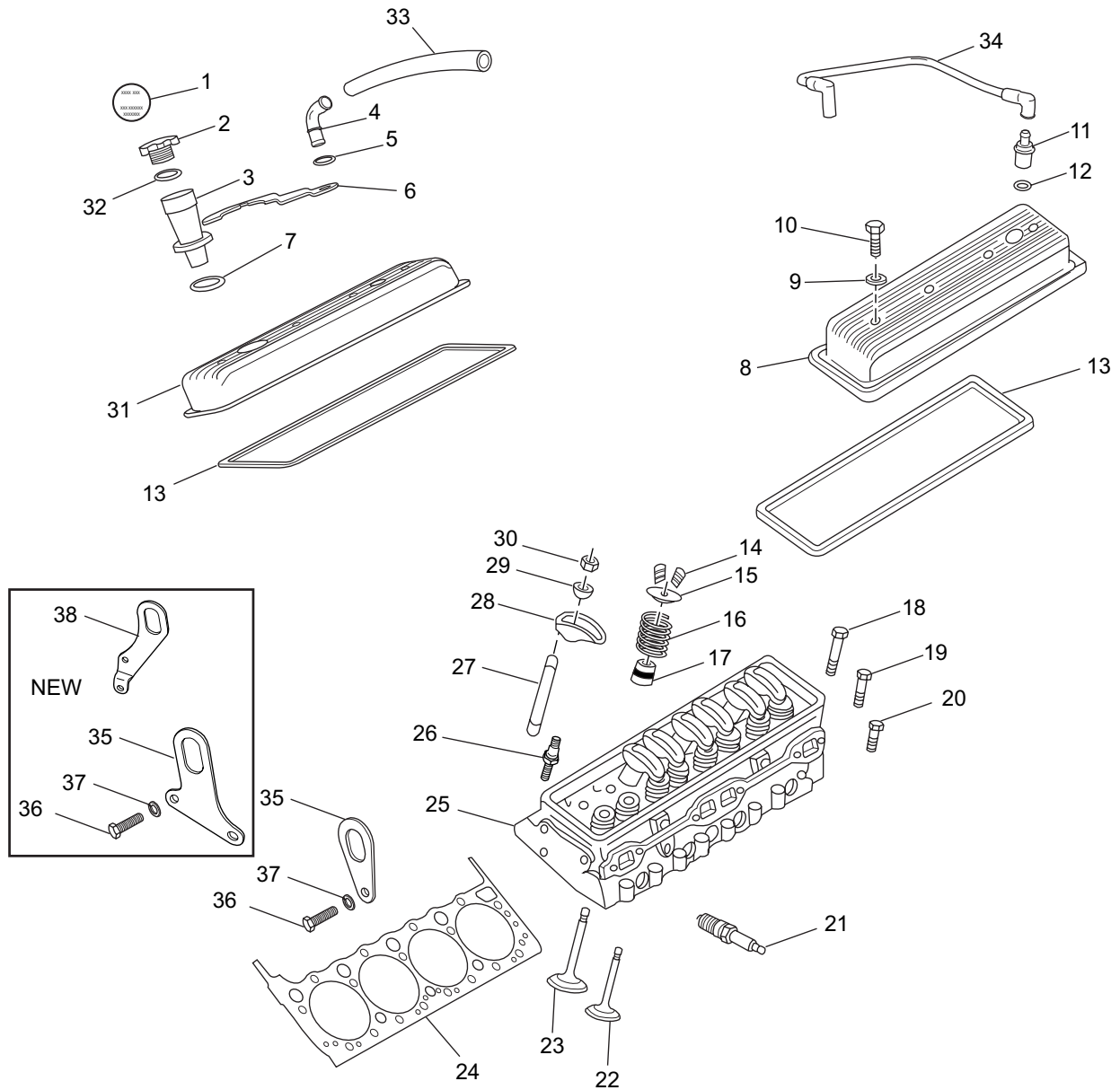
PC57B01112



## CYLINDER BLOCK ASSEMBLY - FIGURE 1 (cont'd)

ITEM	PART NUMBER	DESCRIPTION	QUANTITY
30	R004010A	<b>Cover</b> , engine front cover (includes gasket and seal) '02-'03 engines	1
31	R020038	<b>Sensor</b> , crankshaft position	1
32	TBD	<b>Bolt</b> , crankshaft position sensor attaching	1
33	RK007020	<b>Bearing Set</b> , crankshaft main (STD)	1
34	R009091	<b>Bolt</b> , crankshaft balancer	1
35	R096074	<b>Washer</b> , crankshaft balancer bolt	1
36	R064010A	<b>Balancer</b> , crankshaft - '02 and newer	1
36	R064010	<b>Balancer</b> , crankshaft - '97-'01	1
37	NSS	<b>Seal</b> , crankshaft front oil	1
38	R009177	<b>Bolt</b> , engine front cover attaching, short	6
38	R009176	<b>Bolt</b> , engine front cover attaching, long	2
39	NSS	<b>Gasket</b> , engine front cover	1
40	R054024	<b>Sprocket</b> , crankshaft	1
41	R164024	<b>Key</b> , crankshaft balancer	2
42	RK051030	<b>Bearing Set</b> , camshaft	1
42	TBD	<b>Cam Bearing #1</b>	1
42	TBD	<b>Cam Bearing #2 &amp; #5</b>	2
42	TBD	<b>Cam Bearing #3 &amp; #4</b>	2
43	R022022	<b>Pin</b> , camshaft sprocket locating	1
44	TBD	<b>Bolt</b> , camshaft sprocket attaching	1
45	R055011	<b>Chain</b> , camshaft timing	1
46	R054041	<b>Sprocket</b> , camshaft	1
47	TBD	<b>Bolt</b> , camshaft retaining	2
48	R109050	<b>Retainer</b> , camshaft	1
49	RA050021	<b>Camshaft</b> , engine	1
50	TBD	<b>Plug</b> , oil gallery	1
51	NSS	<b>Block</b> , engine	
52	R090253A	<b>Retainer</b> , valve lifter	1
53	RS0279	<b>Bolt</b> , valve lifter retainer	3
54	RM0203	<b>Gasket</b> , water pump to engine block	2
55	RA057027	<b>Water Pump Assembly</b>	1
56	R095026	<b>Stud</b> , water pump attaching	1
57	RS0307	<b>Bolt</b> , water pump attaching	1
58	90305275	<b>Bolt</b> , water pump attaching	1
59	R095026	<b>Stud</b> , water pump attaching	1
60	R020027	<b>Sensor</b> , knock	1
61	R006017A	<b>Crankshaft</b> , 350 1996/Later	1
NI	R069066	<b>Plug</b> , Brass, block 1 5/8"	8

CYLINDER HEAD ASSEMBLY - FIGURE 2

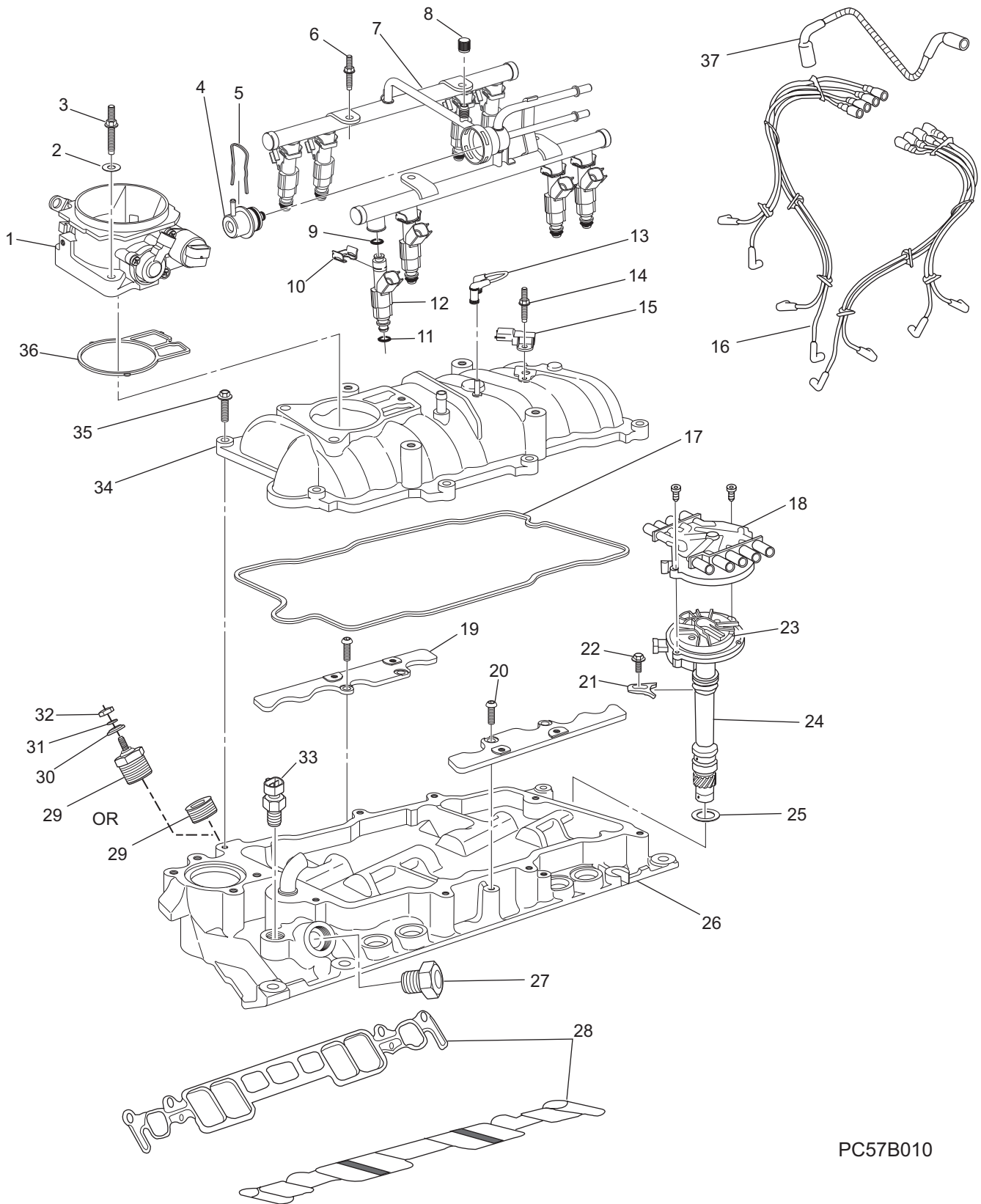


PC57B009

## CYLINDER HEAD ASSEMBLY - FIGURE 2

ITEM	PART NUMBER	DESCRIPTION	QUANTITY
1	R143137	<b>Decal</b> , oil fill riser cap	1
2	R034037	<b>Cap</b> , oil fill riser	1
3	R034048	<b>Riser</b> , oil fill	1
4	R024013C	<b>Elbow</b> , breather tube	1
5	R094002	<b>Grommet</b> , breather tube elbow	1
6	R127098	<b>Retainer</b> , oil fill riser	1
7	R047228	<b>O-ring</b> , oil fill riser	1
8	R033008A	<b>Cover</b> , rocker (left side)	1
9	TBD	<b>Washer</b> , rocker cover retaining bolt	8
10	TBD	<b>Bolt</b> , rocker cover retaining	8
11	R035015	<b>Valve</b> , positive crankcase ventilation	1
12	R094015	<b>Grommet</b> , pcv valve	1
13	RM0193	<b>Gasket</b> , rocker cover	2
14	R049012	<b>Retainer</b> , valve stem	32
15	R049015	<b>Cap</b> , valve spring	16
16	R046050	<b>Valve Spring Assembly</b>	16
17	R047238	<b>Seal</b> , valve stem (intake)	8
17	R047239	<b>Seal</b> , valve stem (exhaust)	8
18	R009168	<b>Bolt</b> , cylinder head to engine block (long)	14
19	TBD	<b>Bolt</b> , cylinder head to engine block (medium)	4
20	TBD	<b>Bolt</b> , cylinder head to engine block (short)	16
21	R030010	<b>Spark Plug</b>	8
22	R043035	<b>Valve</b> , (intake)	8
23	R043036	<b>Valve</b> , (exhaust)	8
24	RM0195	<b>Gasket</b> , cylinder head	2
25	R003007B	<b>5.0L Cylinder Head Assembly</b>	2
25	R003008B	<b>5.7L Cylinder Head Assembly</b>	2
26	R095034	<b>Stud</b> , valve rocker arm	16
26	TBD	<b>Stud</b> , valve rocker arm (.013 OS)	AR
26	R095035	<b>Stud</b> , valve rocker arm (.033 OS)	AR
27	R039023	<b>Push Rod</b>	16
28	R038015	<b>Rocker Arm</b> , Assembly w/ball	16
29	R038011	<b>Ball</b> , rocker arm	16
30	R017069	<b>Nut</b> , rocker arm attaching	16
31	R033008	<b>Cover</b> , rocker (right side)	1
32	NSS	<b>O-Ring</b> , oil fill riser cap	1
33	TBD	<b>Tube</b> , breather	1
34	TBD	<b>Tube</b> , PCV	1
35	R042008	<b>Bracket</b> , lift ring, front and rear	2
35	R042015	<b>Bracket</b> , lift ring (front, replaces R042008)	1
36	RS0304	<b>Bolt</b> , lift ring attaching	3
37	RS2180	<b>Lockwasher</b> , lift ring attaching	3
38	R042014	<b>Bracket</b> , lift ring (rear, replaces R042008)	1

INTAKE MANIFOLD ASSEMBLY - FIGURE 3

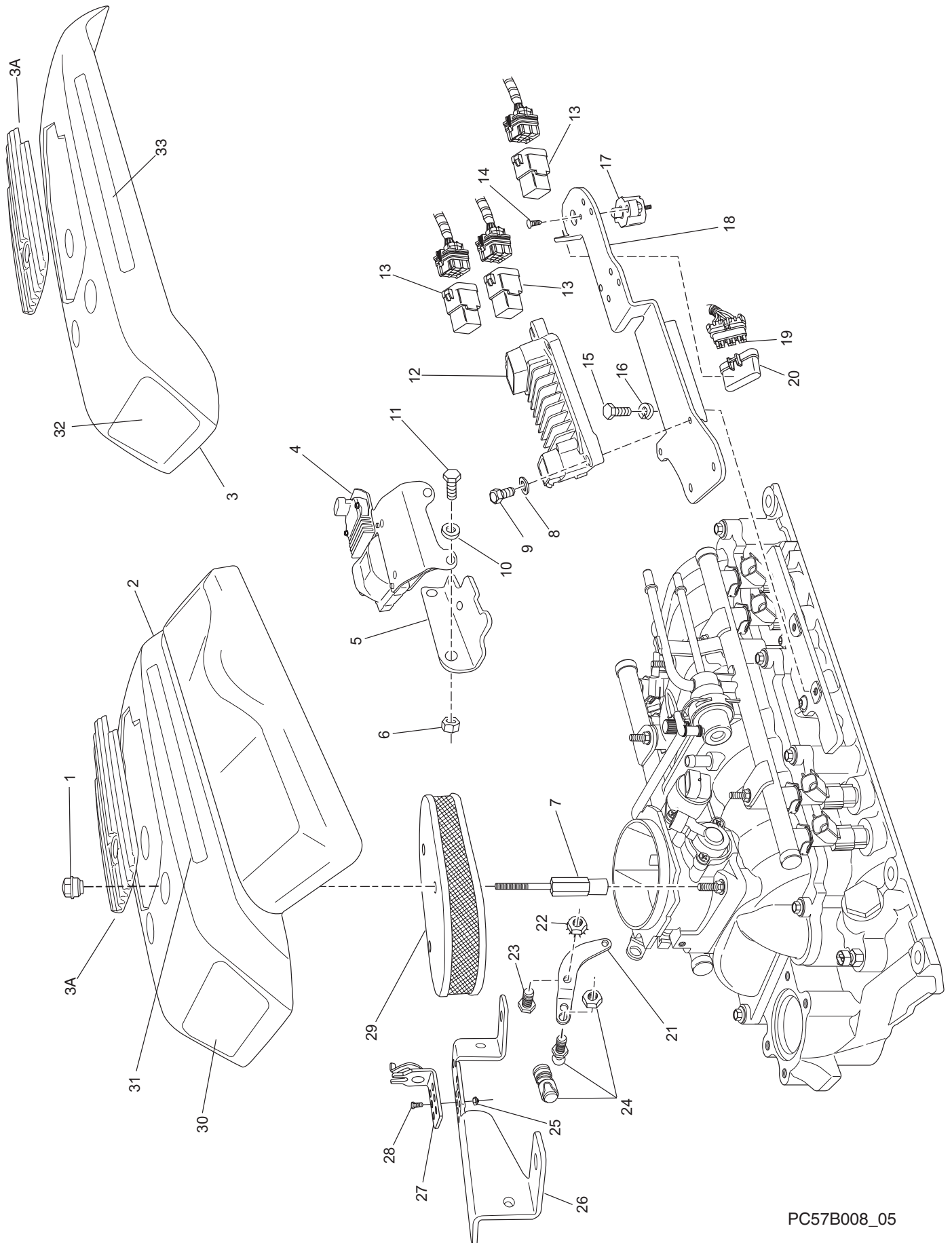


PC57B010

## INTAKE MANIFOLD ASSEMBLY - FIGURE 3

ITEM	PART NUMBER	DESCRIPTION	QUANTITY
1	RA035040	<b>Throttle Body Assembly</b>	1
2	NSS	<b>Washer</b> , throttle body attaching stud	3
3	R095040	<b>Stud</b> , throttle body attaching	3
4	R088002	<b>Regulator</b> , fuel pressure	1
5	TBD	<b>Retainer</b> , fuel pressure regulator	1
6	R095041	<b>Stud</b> , fuel rail attaching	4
7	RA086002	<b>Fuel Rail Assembly</b>	1
8	TBD	<b>Cap</b> , fuel pressure service port	1
9	NSS	<b>O-Ring</b> , fuel injector (top)	8
10	TBD	<b>Clip</b> , fuel injector retaining	8
11	NSS	<b>O-Ring</b> , fuel injector (bottom)	8
12	RA087007	<b>Fuel Injector Assembly</b>	8
13	R085074A	<b>Hose</b> , fuel pressure regulator vacuum	1
14	R095041	<b>Stud</b> , MAP sensor attaching	1
15	R020039	<b>Sensor</b> , manifold absolute pressure	1
16	RK120018	<b>Spark Plug Wire Set</b>	1
17	RM0271	<b>Gasket</b> , upper intake manifold to lower	1
18	RA108009	<b>Cap</b> , distributor	1
19	NSS	<b>Plate</b> , component attaching	2
20	TBD	<b>Bolt</b> , component attaching plate attaching	4
21	R127026A	<b>Hold Down</b> , distributor	1
22	R009193	<b>Bolt</b> , distributor hold down	1
23	R103011	<b>Rotor</b> , distributor	1
24	RA107044	<b>Distributor Assembly (LH)</b>	1
25	RM0123	<b>Gasket</b> , distributor assembly	1
26	R002023	<b>Intake Manifold</b> , lower	1
27	R069069	<b>Plug</b> , intake manifold	1
28	RM0250	<b>Gasket</b> , intake manifold	2
29	R020003	<b>Sender</b> , temperature (FWC)	1
29	444705	<b>Plug</b> , 1/2" NPT, hex socket, Brass (RWC)	1
30	RS2746	<b>Washer</b> , sender terminal	1
31	RS2197	<b>Lockwasher</b> , sender terminal	1
32	RS1540	<b>Nut</b> , sender terminal	1
33	R020019	<b>Sensor</b> , engine coolant temperature	1
34	R002024	<b>Intake Manifold</b> , upper	1
35	TBD	<b>Bolt</b> , upper intake manifold to lower attaching	8
36	RM0272	<b>Gasket</b> , throttle body to upper manifold	1
37	RA120018	<b>Coil Wire</b> , Ignition (red)	1

INTAKE MANIFOLD COMPONENTS - FIGURE 4

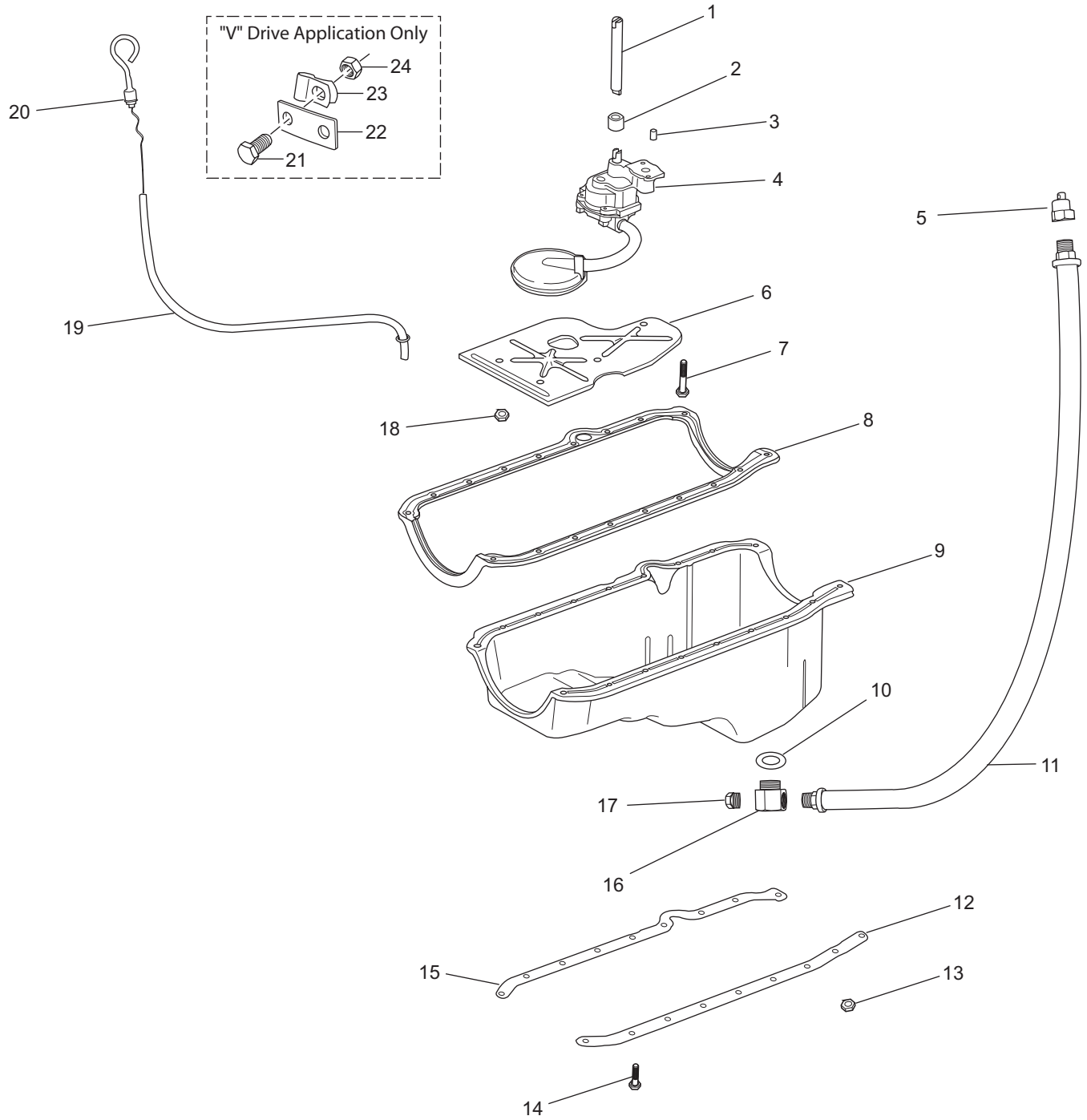


PC57B008\_05

## INTAKE MANIFOLD COMPONENTS - FIGURE 4

ITEM	PART NUMBER	DESCRIPTION	QUANTITY
1	R009194	<b>Nut</b> , engine cover attaching	3
2	R060060	<b>Cover</b> , engine (Grey)	1
2	R060060A	<b>Cover</b> , engine (Red)	1
2	R060060B	<b>Cover</b> , engine (Red, w/insert, MY '05)	1
3	R060061	<b>Cover</b> , engine (Black)	1
3	R060061A	<b>Cover</b> , engine (Grey)	1
3	R060061B	<b>Cover</b> , engine (Red)	1
3	R060061C	<b>Cover</b> , engine (Red, w/insert, MY '05)	1
3A	R060067	<b>Insert</b> , cover, engine (Black) (MY'05)	1
4	RA117011	<b>Ignition Coil/Module Assembly</b>	1
5	R090249	<b>Bracket</b> , ignition coil/module assembly mounting	1
6	RS2058	<b>Nut</b> , attaching	2
7	R095038	<b>Stud</b> , flame arrestor/engine cover attaching	3
8	RS2178	<b>Washer</b> , ECM attaching	2
9	90105075	<b>Bolt</b> , ECM attaching	2
10	92100000	<b>Washer</b> , attaching	2
11	RS0254	<b>Bolt</b> , attaching	2
12	R116019B	<b>Engine Control Module</b>	1
13	R130012	<b>Relay Assembly (S/N 420000 thru 440611)</b>	3
13	R130011A	<b>Relay Assembly (S/N 440612 and above)</b>	3
14	RS5084	<b>Bolt</b> , circuit breaker mounting	2
15	98223016	<b>Bolt</b> , bracket attaching	2
16	93920000	<b>Lockwasher</b> , bracket attaching	2
17	R153006C	<b>Circuit Breaker Assembly (60 amp)</b>	1
18	R090250	<b>Bracket</b> , ECM/relay mounting	1
19	R153017B	<b>Fuses</b> , 20 amp	3
20	R126014	<b>Cover</b> , fuse holder	1
21	R081007	<b>Throttle Arm</b> , throttle body	1
22	RS1078	<b>Nut</b> , throttle arm attaching	2
23	RS0251	<b>Bolt</b> , throttle arm attaching	2
24	R178003	<b>Ball Joint Assembly</b> , cable attaching	1
25	RS2055	<b>Locking Nut</b> , cable clip mounting bolt	2
26	R090248	<b>Throttle Bracket</b> , intake	1
27	R090086	<b>Attaching Clip</b> , throttle cable	1
28	RS5122	<b>Bolt</b> , cable clip mounting	2
29	R145025	<b>Flame Arrestor</b>	1
30	R143141	<b>Decal</b> , hood, front (5.7L PCM)	1
30	R143141B	<b>Decal</b> , hood, front (5.7L PCM) (MY'05)	1
31	R143142	<b>Decal</b> , hood, side (5.7L PCM)	2
31	R143142B	<b>Decal</b> , hood, side (5.7L PCM) (MY '05)	2
32	R143141A	<b>Decal</b> , hood, front (Sea Maxx)	1
32	R143148	<b>Decal</b> , hood, front (5.0L PCM)	1
33	R143142A	<b>Decal</b> , hood, side (Sea Maxx)	2
33	R143149	<b>Decal</b> , hood, side (5.0L PCM)	1
NI	R143143	<b>Decal</b> , Spec, hood (5.7L, PCM)	1
NI	R143146	<b>Decal</b> , Spec, hood (5.0L, PCM)	1
NI	R143158	<b>Decal</b> , "Ultra Low Emissions"	1
NI	R143159	<b>Decal</b> , 5.7L Emission (C.A.R.B.) MY '03	1
NI	R143159-04	<b>Decal</b> , 5.7L Emission (C.A.R.B.) MY '04	1
NI	R143159A	<b>Decal</b> , 5.7L Emission (C.A.R.B.) MY '05	1

OIL PAN and OIL PUMP ASSEMBLY - FIGURE 5



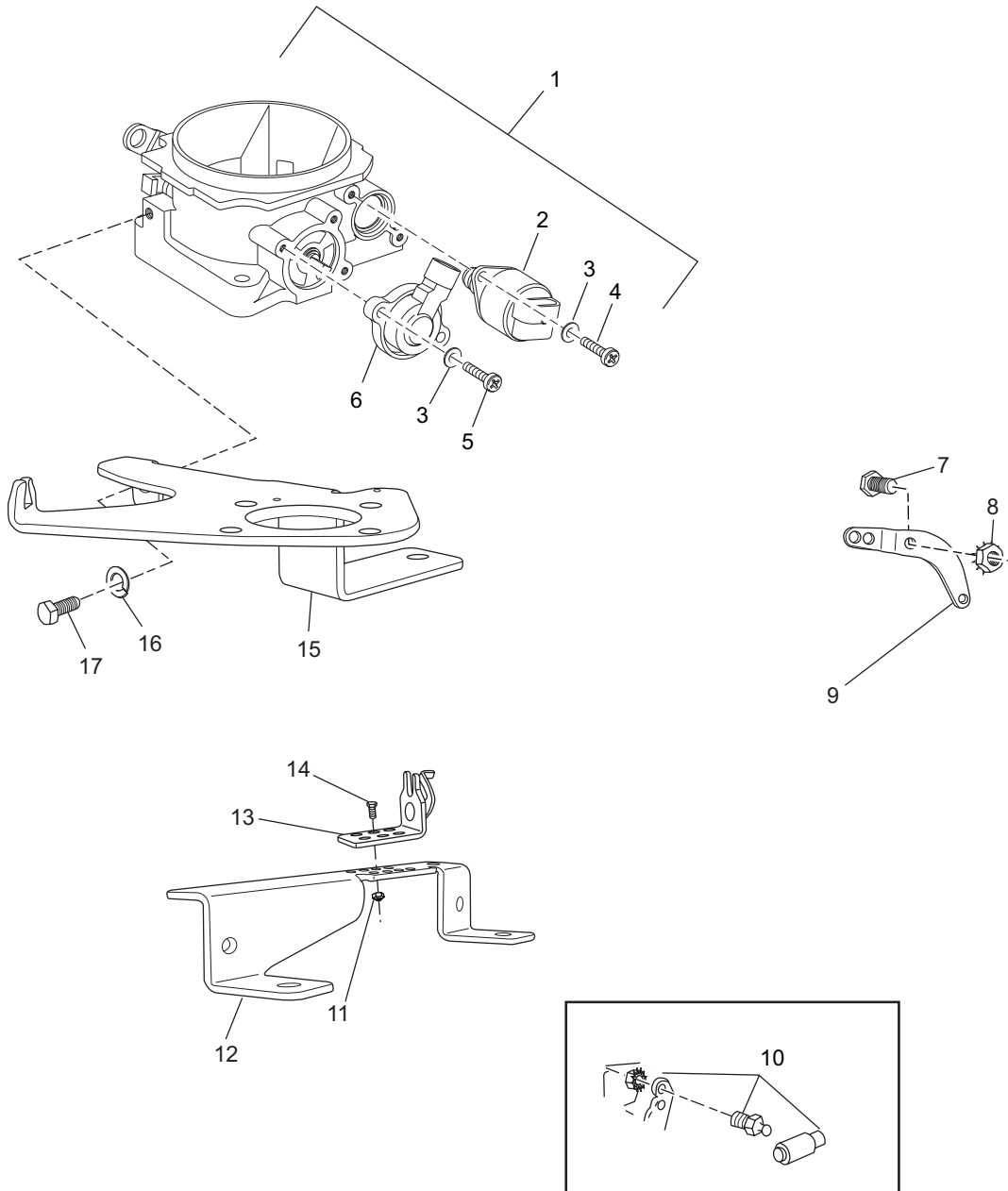
PC57B024



## OIL PAN and OIL PUMP ASSEMBLY - FIGURE 5

ITEM	PART NUMBER	DESCRIPTION	QUANTITY
1	R058054	<b>Shaft</b> , oil pump drive	1
2	TBD	<b>Retainer</b> , oil pump drive shaft	1
3	R022022	<b>Pin</b> , oil pump locating	2
4	RA070010	<b>Oil Pump Assembly</b>	1
5	R024066	<b>Fitting</b> , oil pan drain hose	1
6	R012028	<b>Deflector</b> , crankshaft oil	1
7	TBD	<b>Bolt</b> , oil pump	1
8	RM0249	<b>Gasket</b> , oil pan	1
9	R005011	<b>Oil Pan</b>	1
10	RM0245	<b>Gasket</b> , oil pan drain hose fitting	1
11	R045049	<b>Hose</b> , oil pan drain	1
12	TBD	<b>Reinforcement</b> , oil pan (LH)	1
13	95200010	<b>Nut</b> , oil pan	4
14	R009157	<b>Bolt</b> , oil pan	14
15	TBD	<b>Reinforcement</b> , oil pan (RH)	1
16	R024179	<b>Fitting</b> , oil pan drain hose	1
17	RS3552	<b>Plug</b> , oil pan drain hose fitting	1
18	TBD	<b>Nut</b> , crankshaft oil deflector	5
19	R041065	<b>Tube</b> , oil level dipstick	1
19	R041066	<b>Tube</b> , oil level dipstick (V-drive)	AR
20	R041036A	<b>Dipstick</b> , oil level (0 to 4 degree)	AR
20	R041043A	<b>Dipstick</b> , oil level (12 degree)	AR
20	R041067A	<b>Dipstick</b> , v-drive	AR
21	RS0302	<b>Bolt</b> , dipstick tube mounting clamp	AR
22	R090233	<b>Bracket</b> , dipstick tube	AR
23	R127015	<b>Clamp</b> , dipstick tube mounting	AR
24	RS1028	<b>Nut</b> , dipstick tube mounting clamp bolt	AR
NI	RK024179	<b>Kit</b> , oil drain (includes items 5,10,11,16,17)	1

THROTTLE BODY and RELATED COMPONENTS - FIGURE 6

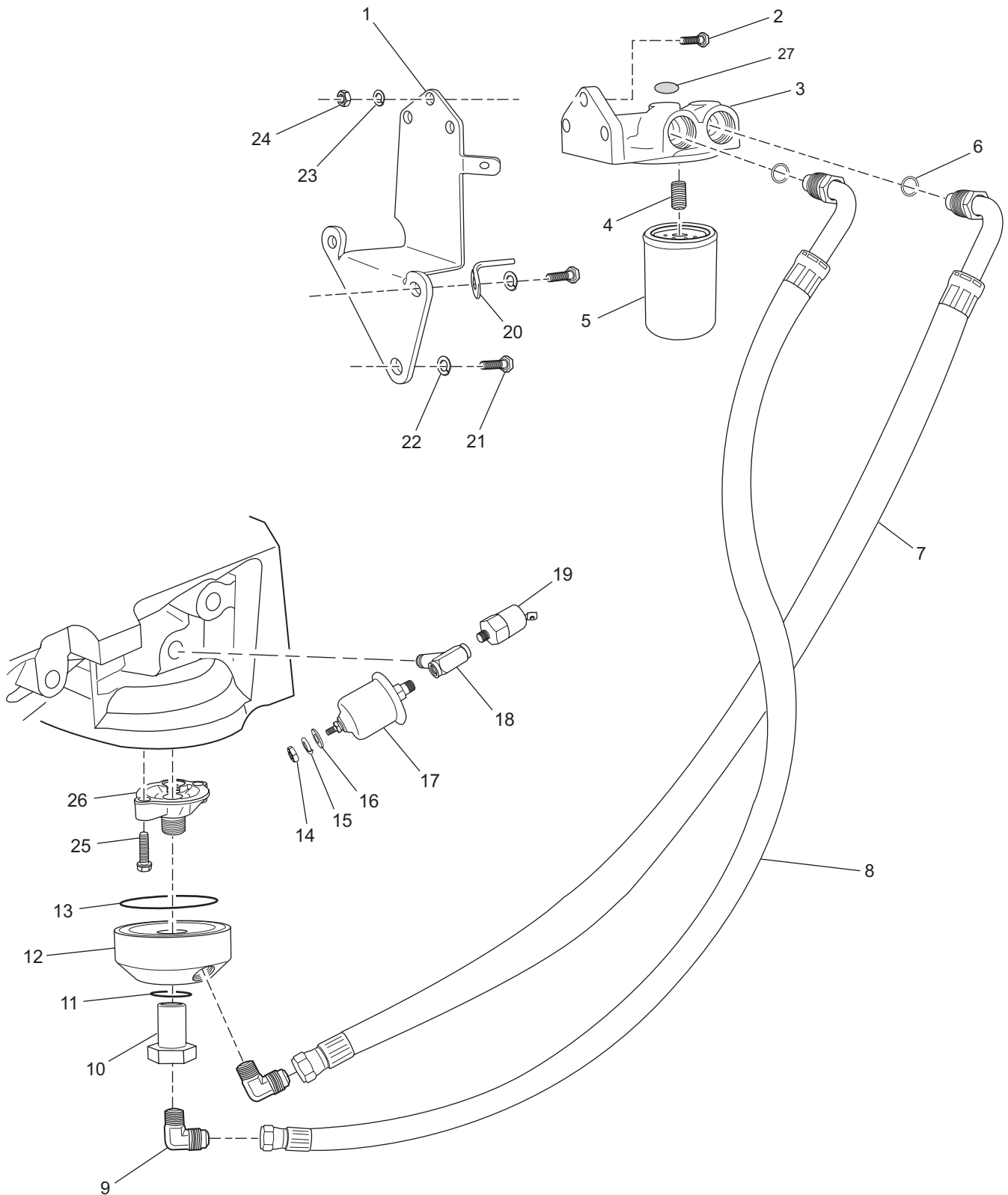


PC57B023

## THROTTLE BODY and RELATED COMPONENTS - FIGURE 6

ITEM	PART NUMBER	DESCRIPTION	QUANTITY
1	RA035040	<b>Throttle Body Assembly</b>	1
2	R084005	<b>Valve</b> , idle air control	1
3	TBD	<b>Washer</b> , attaching	4
4	TBD	<b>Screw</b> , IAC valve attaching	2
5	TBD	<b>Screw</b> , TP sensor attaching	2
6	R020041	<b>Sensor</b> , throttle position	1
7	RS0251	<b>Bolt</b> , throttle arm attaching	2
8	RS1078	<b>Nut</b> , throttle arm attaching	2
9	R081007	<b>Throttle Arm</b> , throttle body	1
10	R178003	<b>Ball Joint Assembly</b> , cable attaching	1
11	RS2055	<b>Locking Nut</b> , cable clip mounting bolt	2
12	R090248	<b>Throttle Bracket</b> , intake	1
13	R090086	<b>Cable Clip</b> , throttle attaching	1
14	RS5122	<b>Bolt</b> , cable clip mounting	2
15	R090261	<b>Bracket</b> , perfect pass	1
16	98223016	<b>Lockwasher</b> , bracket attaching	2
17	93920000	<b>Bolt</b> , bracket attaching	2

REMOTE OIL FILTER COMPONENTS ('02-'04) DIRECT DRIVE - FIGURE 7  
(Thru '04 Model Year S/N - \_\_\_\_\_)

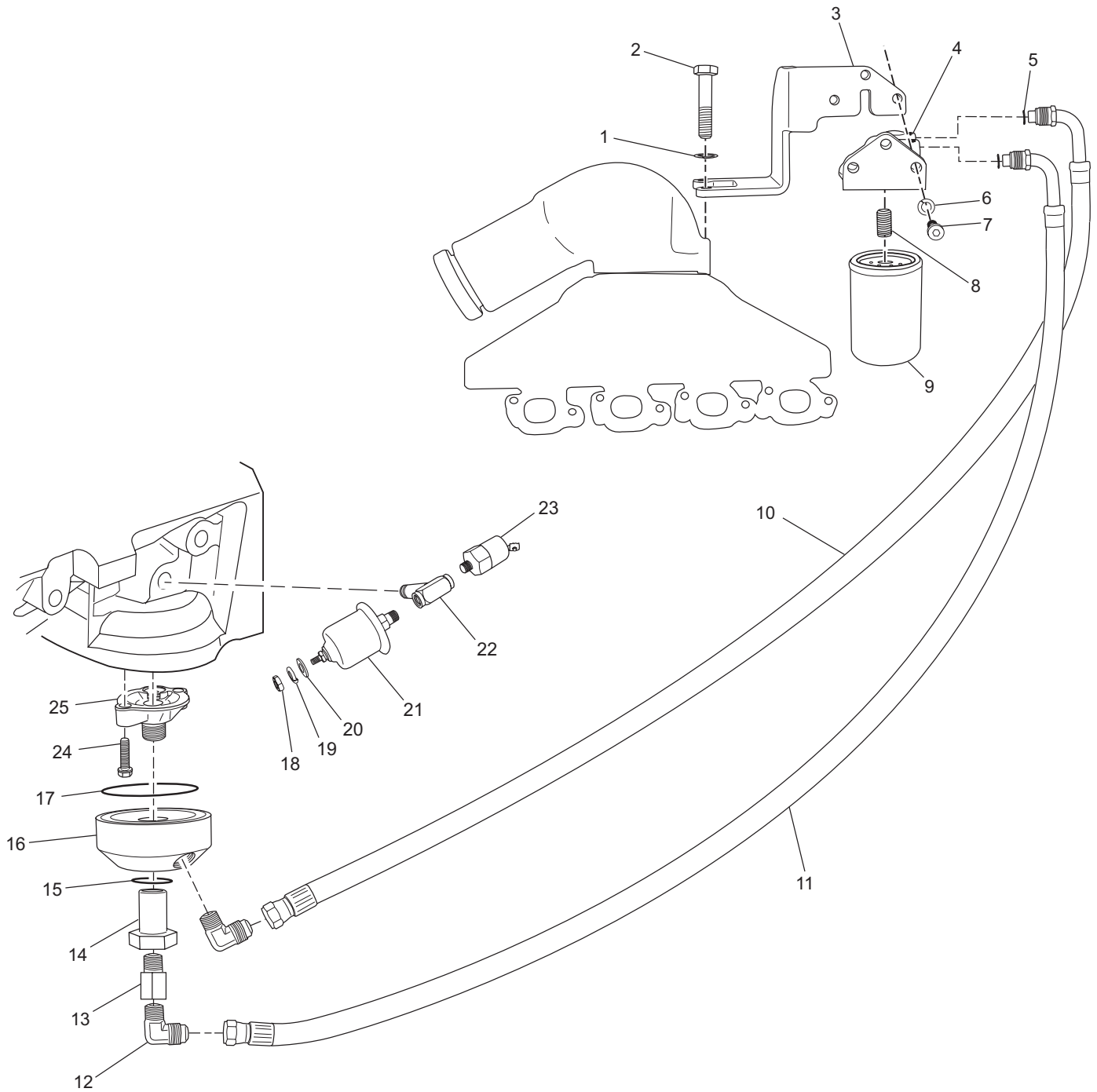


PC57B022

REMOTE OIL FILTER COMPONENTS ('02-'04) DIRECT DRIVE - FIGURE 7  
(Thru '04 Model Year S/N - \_\_\_\_\_)

ITEM	PART NUMBER	DESCRIPTION	QUANTITY
1	R090190A	<b>Bracket</b> , oil filter header mounting	1
2	RS0282	<b>Bolt</b> , oil filter header mounting	3
3	R079066	<b>Oil Filter Header</b>	1
4	R024203	<b>Nipple</b> , header filter adapter	1
5	R077001	<b>Filter</b> , oil	1
6	R047245	<b>O-Ring</b> , oil line	2
7	RA045120C	<b>Hose Assembly</b> , bypass adapter to filter header	1
8	RA045120C	<b>Hose Assembly</b> , filter header to bypass adapter	1
9	R024184	<b>Fitting</b> , 90 degree	2
10	R017073	<b>Fitting</b> , oil bypass adapter attaching	1
11	R047202	<b>O-ring</b> , oil bypass adapter attaching fitting	1
12	R079051	<b>Adapter</b> , oil bypass	1
13	R047203	<b>O-ring</b> , oil bypass adapter	1
14	95011000	<b>Nut</b> , sender terminal	1
15	95300300	<b>Lockwasher</b> , sender terminal	1
16	92300200	<b>Washer</b> , sender terminal	1
17	R020001	<b>Sender</b> , oil pressure	1
18	R024205	<b>Tee</b> , sender attaching	1
19	R020015A	<b>Switch</b> , oil pressure	1
20	R096144	<b>Bracket</b> , spark plug wire loom (90 degree)	2
20	R096144A	<b>Bracket</b> , spark plug wire loom (flat)	2
21	RS0302	<b>Bolt</b> , oil filter header mounting bracket attaching	3
22	RS2180	<b>Lockwasher</b> , attaching bolt	3
23	RS2179	<b>Lockwasher</b> , oil filter header mounting bolt	3
24	RS1027	<b>Nut</b> , oil filter header mounting bolt	3
25	R009089	<b>Bolt</b> , oil adapter attaching	2
26	RA079028	<b>Adapter</b> , oil	1
27	R143175	<b>Decal</b> , "Hot", oil header	1

REMOTE OIL FILTER COMPONENTS ('02-'04) V-DRIVE - FIGURE 8

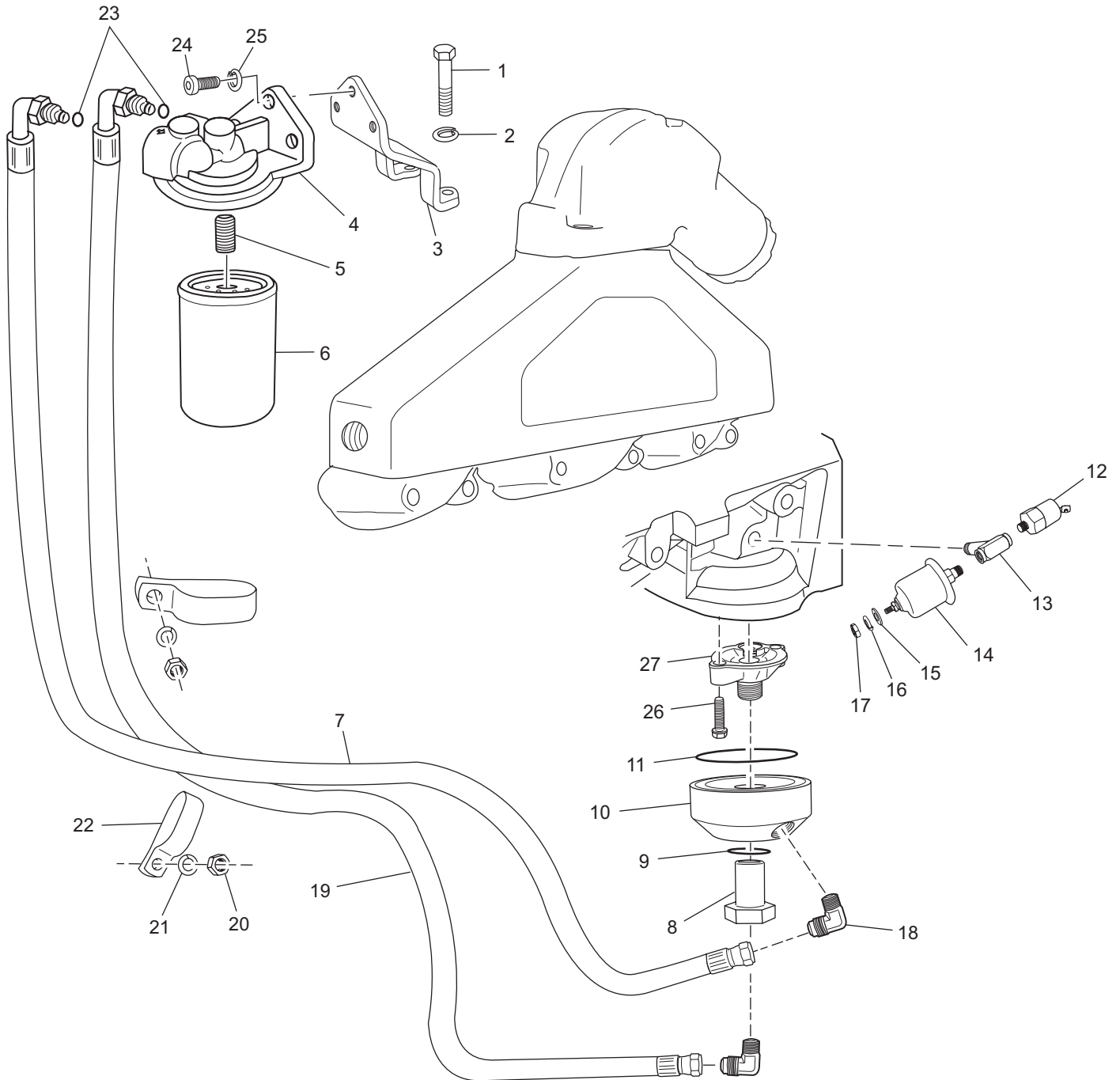


PC57B020

## REMOTE OIL FILTER COMPONENTS ('02-'04) V-DRIVE - FIGURE 8

ITEM	PART NUMBER	DESCRIPTION	QUANTITY
1	RS2179	<b>Lockwasher</b> , attaching bolt	2
2	90205200	<b>Bolt</b> , oil filter header mounting bracket attaching	2
3	R090257	<b>Bracket</b> , oil filter header mounting	1
4	R079066	<b>Oil Filter Header</b>	1
5	R047245	<b>O-Ring</b> , oil line	2
6	RS2179	<b>Lockwasher</b> , oil filter header mounting bolt	3
7	99333020	<b>Bolt</b> , oil filter header mounting	3
8	R024203	<b>Nipple</b> , header filter adapter	1
9	R077001	<b>Filter</b> , oil	1
10	RA045120D	<b>Hose Assembly</b> , bypass adapter to filter header	1
11	RA045120D	<b>Hose Assembly</b> , filter header to bypass adapter	1
12	R024184	<b>Fitting</b> , 90 degree	2
13	R024182	<b>Adapter</b> , fitting	1
14	R017073	<b>Fitting</b> , oil bypass adapter attaching	1
15	R047202	<b>O-ring</b> , oil bypass adapter attaching fitting	1
16	R079051	<b>Adapter</b> , oil bypass	1
17	R047203	<b>O-ring</b> , oil bypass adapter	1
18	95011000	<b>Nut</b> , sender terminal	1
19	95300300	<b>Lockwasher</b> , sender terminal	1
20	92300200	<b>Washer</b> , sender terminal	1
21	R020001	<b>Sender</b> , oil pressure	1
22	R024205	<b>Tee</b> , sender attaching	1
23	R020015A	<b>Switch</b> , oil pressure	1
24	R009089	<b>Bolt</b> , oil adapter attaching	2
25	RA079028	<b>Adapter</b> , oil	1

REMOTE OIL FILTER COMPONENTS - DIRECT DRIVE ('02-'03) - FIGURE 9



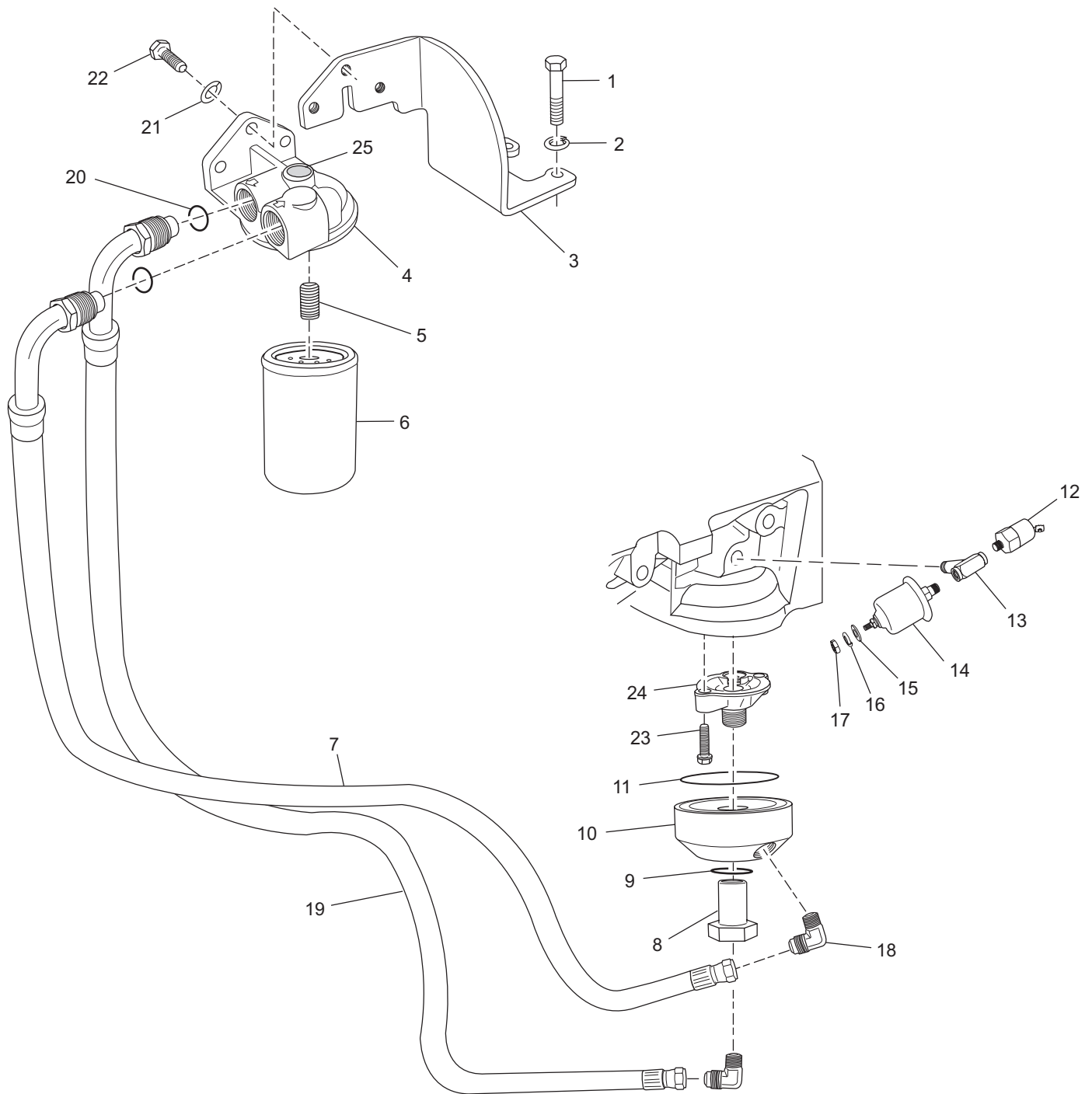
PC57B020a



## REMOTE OIL FILTER COMPONENTS - DIRECT DRIVE ('02-'03) - FIGURE 9

ITEM	PART NUMBER	DESCRIPTION	QUANTITY
1	RS0286	<b>Bolt</b> , oil filter header mounting bracket attaching	2
2	RS2180	<b>Lockwasher</b> , attaching bolt	2
3	R090252	<b>Bracket</b> , oil filter header mounting	1
4	R079066	<b>Oil Filter Header</b>	1
5	R024203	<b>Nipple</b> , header filter adapter	1
6	R077001	<b>Filter</b> , oil	1
7	RA045120D	<b>Hose Assembly</b> , bypass adapter to filter header	1
8	R017073	<b>Fitting</b> , oil bypass adapter attaching	1
9	R047202	<b>O-ring</b> , oil bypass adapter attaching fitting	1
10	R079051	<b>Adapter</b> , oil bypass	1
11	R047203	<b>O-ring</b> , oil bypass adapter	1
12	R020015A	<b>Switch</b> , oil pressure	1
13	R024205	<b>Tee</b> , sender attaching	1
14	R020001	<b>Sender</b> , oil pressure	1
15	92300200	<b>Washer</b> , sender terminal	1
16	95300300	<b>Lockwasher</b> , sender terminal	1
17	95011000	<b>Nut</b> , sender terminal	1
18	R024184	<b>Fitting</b> , 90 degree	2
19	RA045120D	<b>Hose Assembly</b> , filter header to bypass adapter	1
20	RS1028	<b>Nut</b> , strap clamp attaching	2
21	RS2180	<b>Lockwasher</b> , strap clamp attaching	2
22	R127099	<b>Clamp</b> , strap	2
23	R047245	<b>O-Ring</b> , oil line	2
24	RS0282	<b>Bolt</b> , oil filter header mounting	3
25	RS2179	<b>Lockwasher</b> , oil filter header mounting bolt	3
26	R009089	<b>Bolt</b> , oil adapter attaching	2
27	RA079028	<b>Adapter</b> , oil	1

REMOTE OIL FILTER COMPONENTS ('04) DIRECT DRIVE - FIGURE 10  
( '04 Model Year S/N - \_\_\_\_\_ thru present)

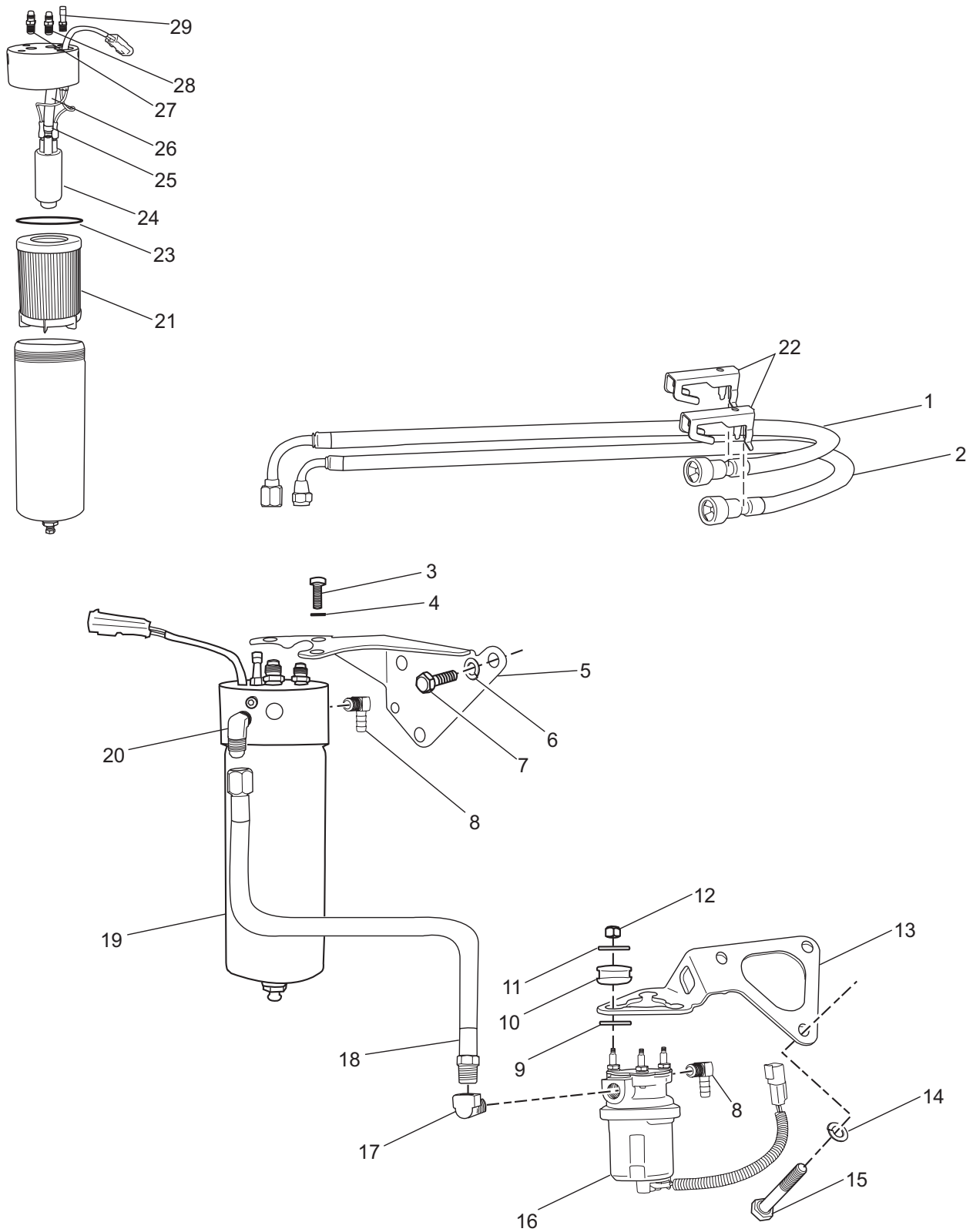


PC57B020b

REMOTE OIL FILTER COMPONENTS ('04) DIRECT DRIVE - FIGURE 10  
('04 Model Year S/N - \_\_\_\_\_ thru present)

ITEM	PART NUMBER	DESCRIPTION	QUANTITY
1	RS0286	<b>Bolt</b> , oil filter header mounting bracket attaching	2
2	RS2180	<b>Lockwasher</b> , attaching bolt	2
3	R090257	<b>Bracket</b> , oil filter header mounting	1
4	R079066	<b>Oil Filter Header</b>	1
5	R024203	<b>Nipple</b> , header filter adapter	1
6	R077001	<b>Filter</b> , oil	1
7	RA045120D	<b>Hose Assembly</b> , bypass adapter to filter header	1
8	R017073	<b>Fitting</b> , oil bypass adapter attaching	1
9	R047202	<b>O-ring</b> , oil bypass adapter attaching fitting	1
10	R079051	<b>Adapter</b> , oil bypass	1
11	R047203	<b>O-ring</b> , oil bypass adapter	1
12	R020015A	<b>Switch</b> , oil pressure	1
13	R024205	<b>Tee</b> , sender attaching	1
14	R020001	<b>Sender</b> , oil pressure	1
15	92300200	<b>Washer</b> , sender terminal	1
16	95300300	<b>Lockwasher</b> , sender terminal	1
17	95011000	<b>Nut</b> , sender terminal	1
18	R024184	<b>Fitting</b> , 90 degree	2
19	RA045120D	<b>Hose Assembly</b> , filter header to bypass adapter	1
20	R047245	<b>O-Ring</b> , oil line	2
21	RS2179	<b>Lockwasher</b> , oil filter header mounting bolt	3
22	98333020	<b>Bolt</b> , oil filter header mounting	3
23	R009089	<b>Bolt</b> , oil adapter attaching	2
24	RA079028	<b>Adapter</b> , oil	1
25	R143175	<b>Decal</b> , "Hot", oil header	1

FUEL CONTROL CELL (FCC) COMPONENTS ('02-'03) DIRECT DRIVE - FIGURE 11

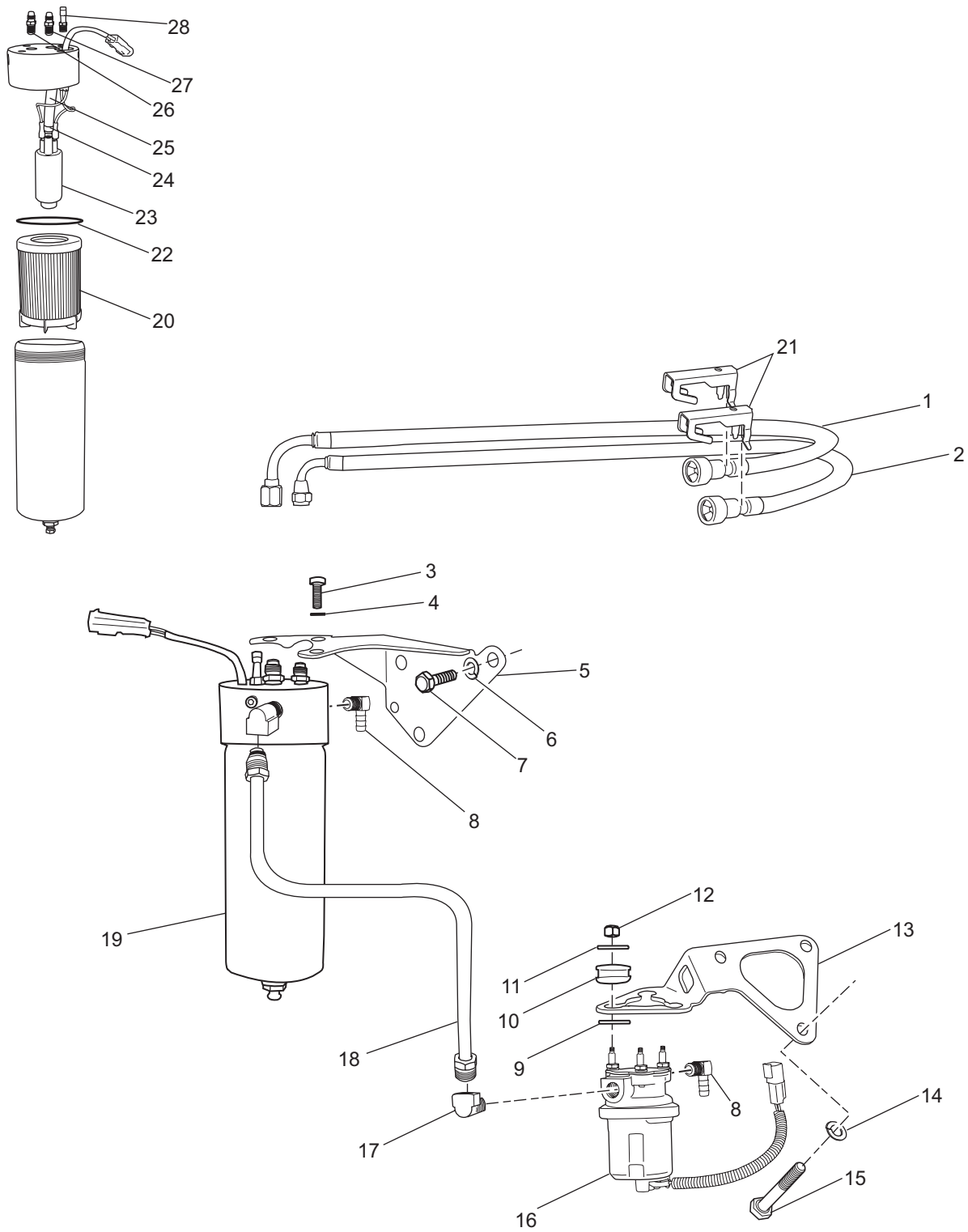


PC57B018

## FUEL CONTROL CELL (FCC) COMPONENTS ('02-'03) DIRECT DRIVE - FIGURE 11

ITEM	PART NUMBER	DESCRIPTION	QUANTITY
1	RA085090A	<b>Hose Assembly</b> , FCC to fuel rail (inlet)	1
2	RA085091A	<b>Hose Assembly</b> , fuel rail to FCC (return)	1
3	RS0304	<b>Bolt</b> , FCC mounting	3
4	RS2180	<b>Lockwasher</b> , FCC mounting	3
5	R090179B	<b>Bracket</b> , FCC mounting	1
6	RS2180	<b>Lockwasher</b> , FCC mounting bracket	3
7	RS0304	<b>Bolt</b> , FCC mounting bracket	3
8	R024089	<b>Fitting</b> , 90 degree	2
9	R096142	<b>Washer</b> , fuel pump mounting	3
10	R094035	<b>Grommet</b> , mounting bracket	3
11	R096141	<b>Washer</b> , fuel pump mounting	3
12	RS1521L	<b>Locking Nut</b> , low-pressure fuel pump	3
13	R090223	<b>Bracket</b> , low-pressure fuel pump mounting	1
14	RS2180	<b>Lockwasher</b> , bracket mounting	3
15	RS0305	<b>Bolt</b> , bracket mounting	3
16	RA080018	<b>Fuel Pump</b> , low-pressure	1
17	R024192	<b>Fitting</b> , 90 degree	1
18	RA085070	<b>Hose Assembly</b> , low-pressure pump to FCC	1
19	RA080025	<b>Fuel Control Cell Assembly</b>	1
20	R024163	<b>Fitting</b> , 90 degree	1
21	RP080026	<b>Fuel Filter</b> , FCC assembly	1
22	R127100	<b>Locking Clip</b> , fuel line	2
23	R047214	<b>O'Ring</b> , FCC seal	1
24	RA080025A	<b>Fuel Pump</b> , high pressure	1
25	R127087	<b>Clamp</b> , Oetiker	2
26	R045098	<b>Hose</b> , 5/16 I.D. - 1/2 O.D.	1
27	R024175	<b>Fitting</b> , fuel line	1
28	R024163A	<b>Fitting</b> , fuel line	1
29	R035031	<b>Fitting</b> , fuel pressure, Schrader valve	1
NI	R034041	<b>Cap</b> , Schrader valve	1

FUEL CONTROL CELL (FCC) COMPONENTS ('02-'04) DIRECT DRIVE - FIGURE 12

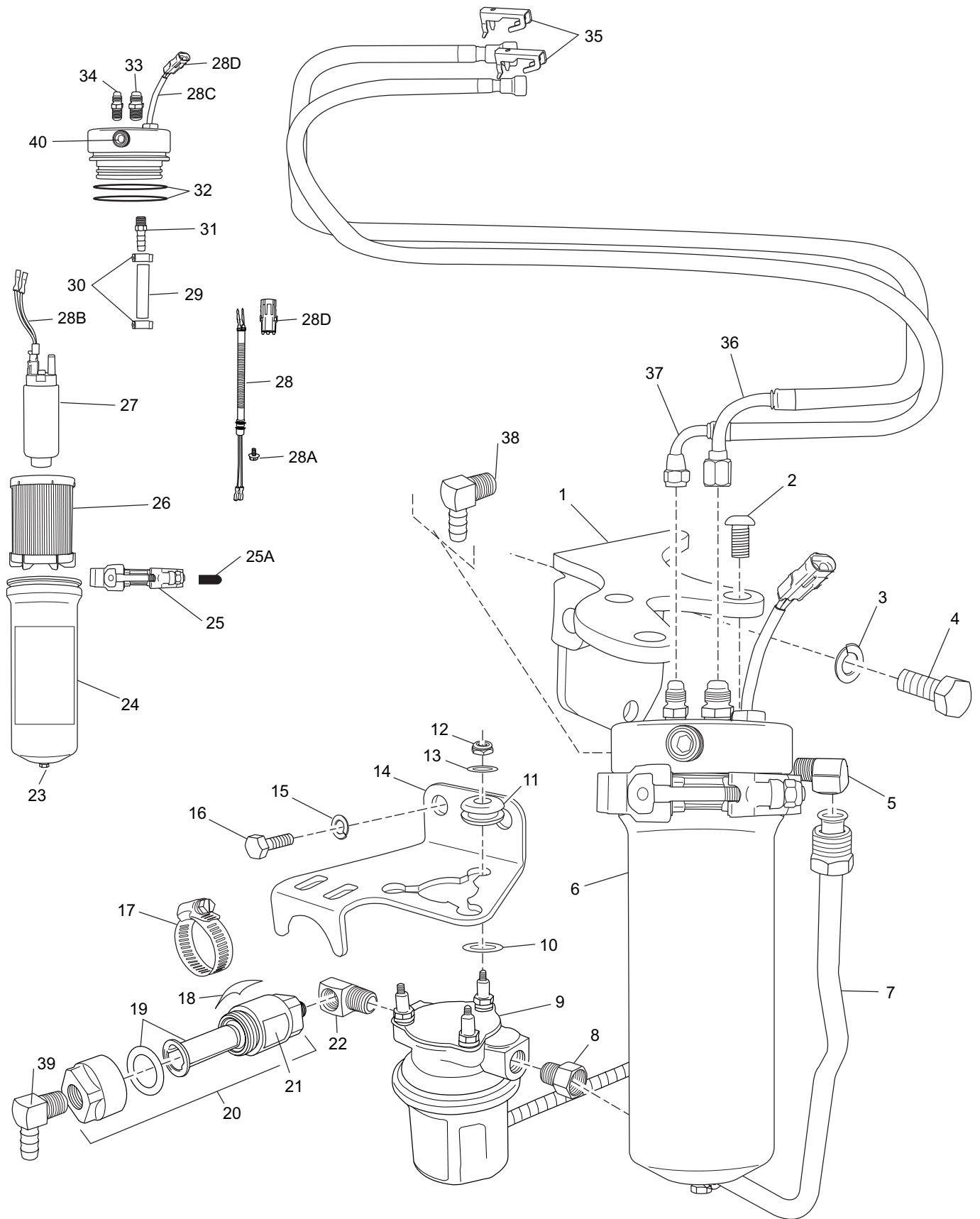


PC57B018a

## FUEL CONTROL CELL (FCC) COMPONENTS ('02-'04) DIRECT DRIVE - FIGURE 12

ITEM	PART NUMBER	DESCRIPTION	QUANTITY
1	RA085090A	<b>Hose Assembly</b> , FCC to fuel rail (inlet)	1
2	RA085091A	<b>Hose Assembly</b> , fuel rail to FCC (return)	1
3	RS0304	<b>Bolt</b> , FCC mounting	3
4	RS2180	<b>Lockwasher</b> , FCC mounting	3
5	R090179B	<b>Bracket</b> , FCC mounting	1
6	RS2180	<b>Lockwasher</b> , FCC mounting bracket	3
7	RS0304	<b>Bolt</b> , FCC mounting bracket	3
8	R024089	<b>Fitting</b> , 90 degree	2
9	R096142	<b>Washer</b> , fuel pump mounting	3
10	R094035	<b>Grommet</b> , mounting bracket	3
11	R096141	<b>Washer</b> , fuel pump mounting	3
12	RS1521L	<b>Locking Nut</b> , low-pressure fuel pump	3
13	R090223	<b>Bracket</b> , low-pressure fuel pump mounting	1
14	RS2180	<b>Lockwasher</b> , bracket mounting	3
15	RS0305	<b>Bolt</b> , bracket mounting	3
16	RA080018	<b>Fuel Pump</b> , low-pressure	1
17	R024017	<b>Fitting</b> , 90 degree	2
18	RA085096	<b>Hose Assembly</b> , low-pressure pump to FCC	1
19	RA080025	<b>Fuel Control Cell Assembly</b>	1
20	RP080026	<b>Fuel Filter</b> , FCC assembly	1
21	R127100	<b>Locking Clip</b> , fuel line	2
22	R047214	<b>O'Ring</b> , FCC seal	1
23	RA080025A	<b>Fuel Pump</b> , high pressure	1
24	R127087	<b>Clamp</b> , Oetiker	2
25	R045098	<b>Hose</b> , 5/16 I.D. - 1/2 O.D.	1
26	R024175	<b>Fitting</b> , fuel line	1
27	R024163A	<b>Fitting</b> , fuel line	1
28	R035031	<b>Fitting</b> , fuel pressure, Schrader valve	1
NI	R034041	<b>Cap</b> , Schrader valve	1

FUEL CONTROL CELL (FCC) COMPONENTS ('05) - FIGURE 13

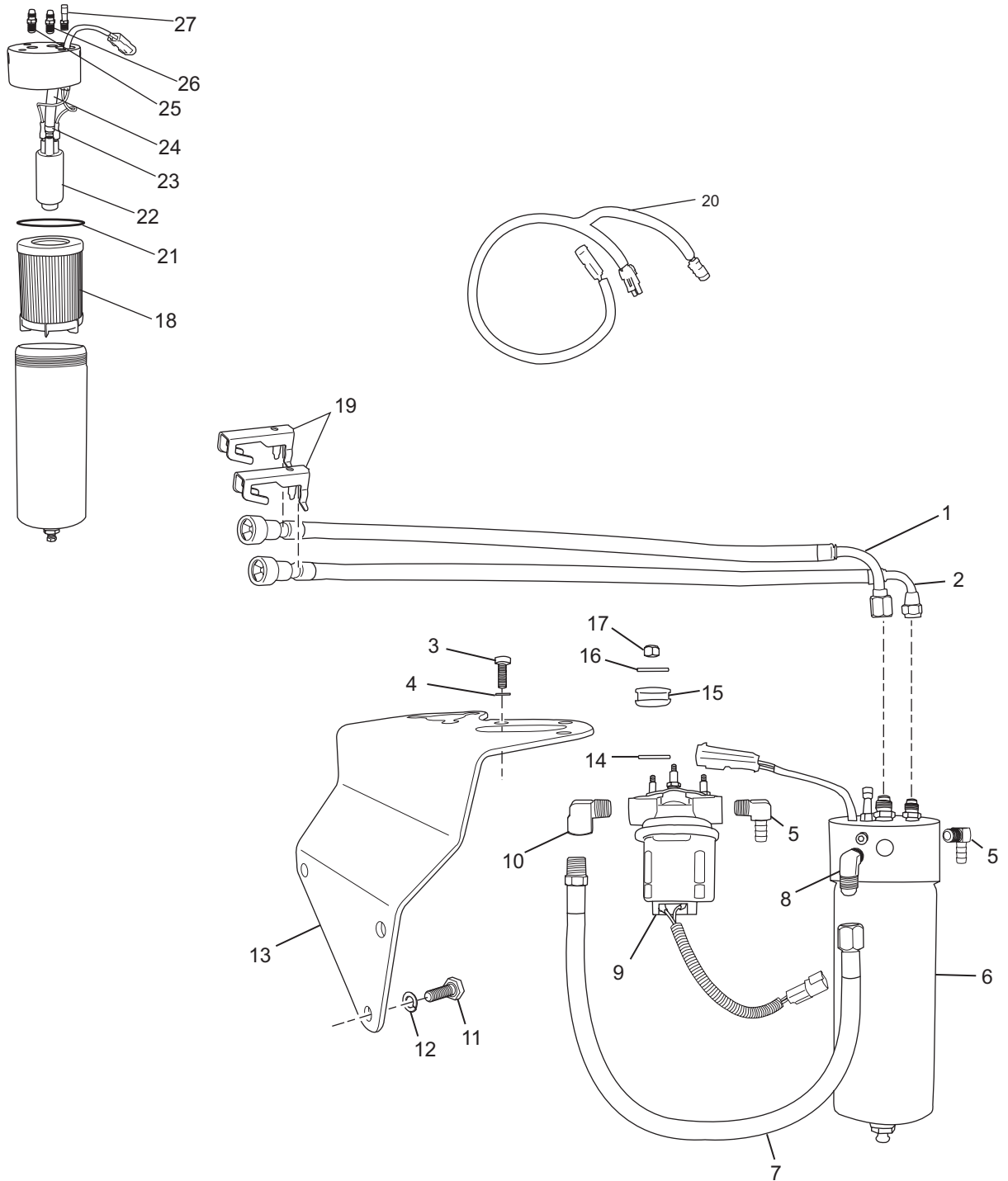




## FUEL CONTROL CELL (FCC) COMPONENTS ('05) - FIGURE 13

ITEM	PART NUMBER	DESCRIPTION	QUANTITY
1	R090179	<b>Bracket</b> , FCC mounting	1
2	90384075	<b>Bolt</b> , FCC mounting	3
3	RS2180	<b>Lockwasher</b> , FCC mounting bracket	2
4	RS0304	<b>Bolt</b> , FCC mounting bracket	2
5	R024017	<b>Fitting</b> , 90 degree	1
6	RA080031	<b>Fuel Control Cell Assembly</b>	1
7	RA085096A	<b>Fuel Line</b> , low-pressure pump to FCC	1
8	R024146	<b>Adapter</b> , fuel line fitting	1
9	RA080018	<b>Fuel Pump</b> , low-pressure	1
10	R096141	<b>Washer</b> , fuel pump mounting	3
11	R094035A	<b>Grommet</b> , mounting bracket	3
12	RS1521L	<b>Locking Nut</b> , low-pressure fuel pump	3
13	R096142	<b>Washer</b> , fuel pump mounting	3
14	R090308	<b>Bracket</b> , low-pressure fuel pump mounting	1
15	RS2180	<b>Lockwasher</b> , bracket mounting	2
16	RS0302	<b>Bolt</b> , bracket mounting	2
17	RS3858	<b>Clamp</b> , prefilter retaining	1
18	R094040	<b>Adhesive</b> , rubber strip	1
19	RP077014	<b>Gasket/Filter Kit</b> , prefilter	1
20	RA077014	<b>Prefilter Assembly</b>	1
21	R143174	<b>Decal</b> , prefilter	1
22	R024192	<b>Fitting</b> , 90 degree	1
23	RS3554	<b>Plug</b> , FCC drain	1
24	R143112A	<b>Decal</b> , FCC	1
25	R171010	<b>Clamp</b> , FCC bowl-to-head retaining	1
25A	R128002	<b>Cover</b> , FCC clamp T-bolt	1
26	R080026	<b>Filter</b> , FCC	1
27	RA080025A	<b>Pump</b> , FCC high pressure fuel	1
28	R121085B	<b>Harness</b> , 1 piece, FCC high pressure fuel pump (1-piece harness <b>does not</b> retrofit for 2-piece)	1
28A	91620025	<b>Screw</b> , self-tapping, 1 piece harness retaining	1
28B	RA121061	<b>Harness</b> , 2 piece, FCC high pressure fuel pump	1
28C	RA121060	<b>Harness</b> , 2 piece, FCC high pressure fuel pump	1
28D	7172040	<b>Connector</b> , W/P 2-Way Female	1
29	R045098B	<b>Hose</b> , FCC internal fuel	1
30	R127087	<b>Clamp</b> , Oeticker	2
31	R024219	<b>Fitting</b> , FCC internal	1
32	R047241	<b>O'Ring</b> , FCC bowl-to-head seal	2
33	R024175	<b>Fitting</b> , FCC head (fuel supply line)	1
34	R024163A	<b>Fitting</b> , FCC head (fuel return line)	1
35	R127100	<b>Retainer</b> , fuel line	2
36	RA085090A	<b>Hose Assembly</b> , FCC to fuel rail (inlet)	1
37	RA085091A	<b>Hose Assembly</b> , fuel rail to FCC (return)	AR
38	R024225	<b>Fitting</b> , return line 90 degree barb	AR
39	R024226	<b>Fitting</b> , inlet line 90 degree barb	AR
40	RS3550	<b>Plug</b> , FCC head	1

FUEL CONTROL CELL (FCC) COMPONENTS ('02-'03) V-DRIVE- FIGURE 14

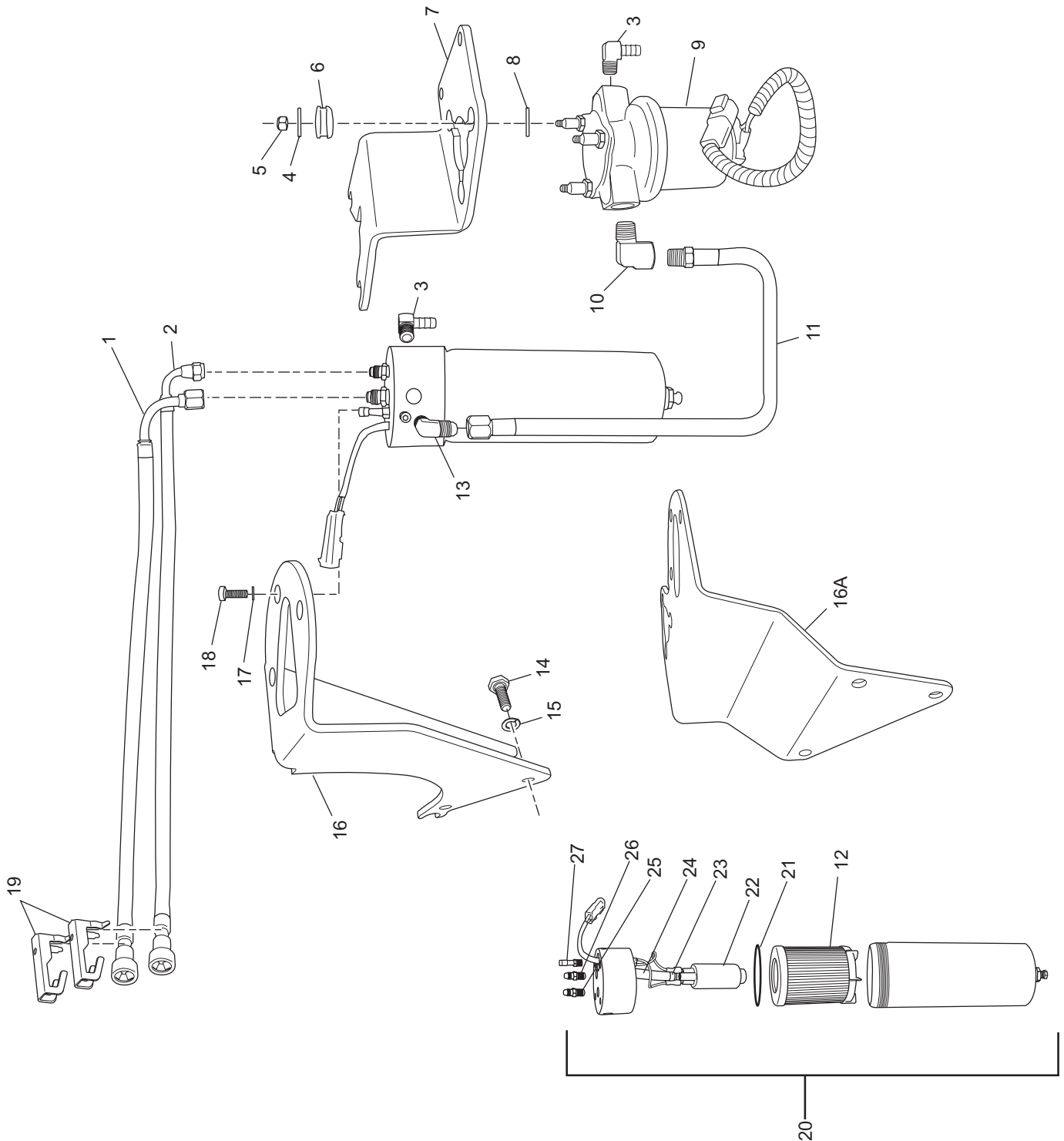


PC57B021

## FUEL CONTROL CELL (FCC) COMPONENTS ('02-'03) V-DRIVE- FIGURE 14

ITEM	PART NUMBER	DESCRIPTION	QUANTITY
1	RA085090B	<b>Hose Assembly</b> , FCC to fuel rail (inlet)	1
2	RA085091B	<b>Hose Assembly</b> , fuel rail to FCC (return)	1
3	RS0304	<b>Bolt</b> , FCC mounting	3
4	RS2180	<b>Lockwasher</b> , FCC mounting	3
5	R024089	<b>Fitting</b> , 90 degree	2
6	RA080025	<b>Fuel Control Cell Assembly</b>	1
7	RA085070	<b>Hose Assembly</b> , low-pressure pump to FCC	1
8	R024163	<b>Fitting</b> , 90 degree	1
9	RA080018	<b>Fuel Pump</b> , low-pressure	1
10	R024192	<b>Fitting</b> , 90 degree	1
11	RS0304	<b>Bolt</b> , FCC mounting bracket	3
12	RS2180	<b>Lockwasher</b> , FCC mounting bracket	3
13	R090204	<b>Bracket</b> , FCC mounting	1
14	R096141	<b>Washer</b> , fuel pump mounting	3
15	R094035	<b>Grommet</b> , mounting bracket	3
16	R096142	<b>Washer</b> , fuel pump mounting	3
17	RS1521L	<b>Locking Nut</b> , low-pressure fuel pump	3
18	RP080026	<b>Fuel Filter</b> , FCC assembly	1
19	R127100	<b>Locking Clip</b> , fuel line	2
20	RA121062C	<b>Harness Extension</b> , FCC	1
21	R047214	<b>O'Ring</b> , FCC seal	1
22	RA080025A	<b>Fuel Pump</b> , high pressure	1
23	R127087	<b>Clamp</b> , Oetiker	2
24	R045098	<b>Hose</b> , 5/16 I.D. - 1/2 O.D.	1
25	R024175	<b>Fitting</b> , fuel line	1
26	R024163A	<b>Fitting</b> , fuel line	1
27	R035031	<b>Fitting</b> , fuel pressure, Schrader valve	1
NI	R034041	<b>Cap</b> , Schrader valve	1

FUEL CONTROL CELL (FCC) COMPONENTS ('04) (V-Drive)- FIGURE 15

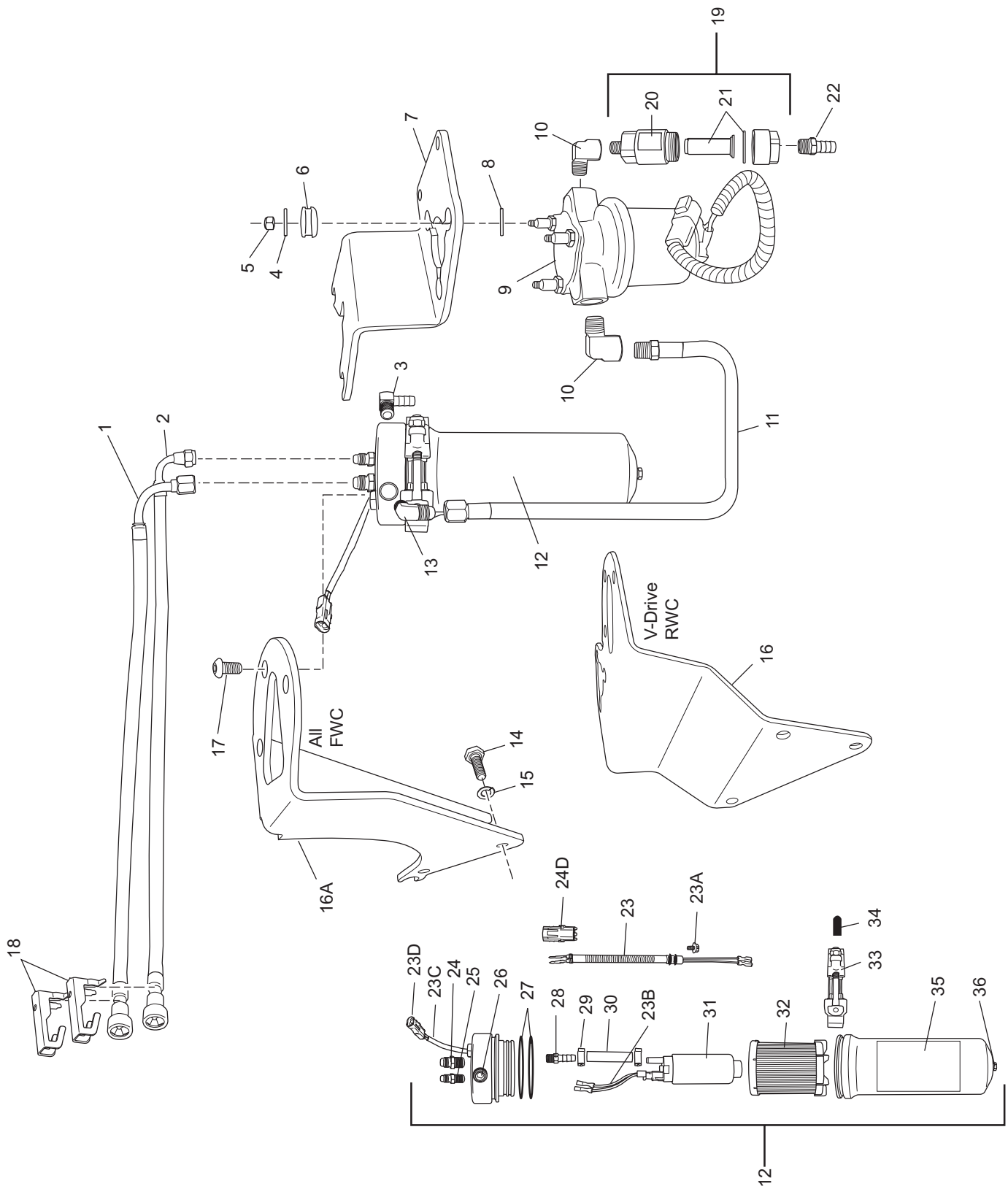


PC57B021a

## FUEL CONTROL CELL (FCC) COMPONENTS ('04) (V-Drive)- FIGURE 15

ITEM	PART NUMBER	DESCRIPTION	QUANTITY
1	RA085090B	<b>Hose Assembly</b> , FCC to fuel rail (inlet)	1
2	RA085091B	<b>Hose Assembly</b> , fuel rail to FCC (return)	1
3	R024089	<b>Fitting</b> , 90 degree	2
4	R096142	<b>Washer</b> , fuel pump mounting	3
5	RS1521L	<b>Locking Nut</b> , low-pressure fuel pump	3
6	R094035	<b>Grommet</b> , mounting bracket	3
7	R090299	<b>Bracket</b> , LPFP mounting (FWC)	1
8	R096141	<b>Washer</b> , fuel pump mounting	3
9	RA080018	<b>Fuel Pump</b> , low-pressure	1
10	R024017	<b>Fitting</b> , 90 degree	1
11	RA085070	<b>Hose Assembly</b> , low-pressure pump to FCC	1
12	RP080026	<b>Fuel Filter</b> , FCC assembly	1
13	R024163	<b>Fitting</b> , 90 degree	1
14	RS0304	<b>Bolt</b> , FCC mounting bracket	2
15	RS2180	<b>Lockwasher</b> , FCC mounting bracket	2
16	R090296	<b>Bracket</b> , FCC mounting (FWC)	1
16A	R090204	<b>Bracket</b> , FCC/LPFP mounting (RWC)	1
17	RS2180	<b>Lockwasher</b> , FCC mounting	3
18	RS0304	<b>Bolt</b> , FCC mounting	3
19	R127100	<b>Locking Clip</b> , fuel line	2
20	RA080025	<b>Fuel Control Cell Assembly</b>	1
21	R047214	<b>O'Ring</b> , FCC seal	1
22	RA080025A	<b>Fuel Pump</b> , high pressure	1
23	R127087	<b>Clamp</b> , Oetiker	2
24	R045098	<b>Hose</b> , 5/16 I.D. - 1/2 O.D.	1
25	R024175	<b>Fitting</b> , fuel line	1
26	R024163A	<b>Fitting</b> , fuel line	1
27	R035031	<b>Fitting</b> , fuel pressure, Schrader valve	1
NI	R034041	<b>Cap</b> , Schrader valve	1

FUEL CONTROL CELL (FCC) COMPONENTS ('05) (V-Drive)- FIGURE 16

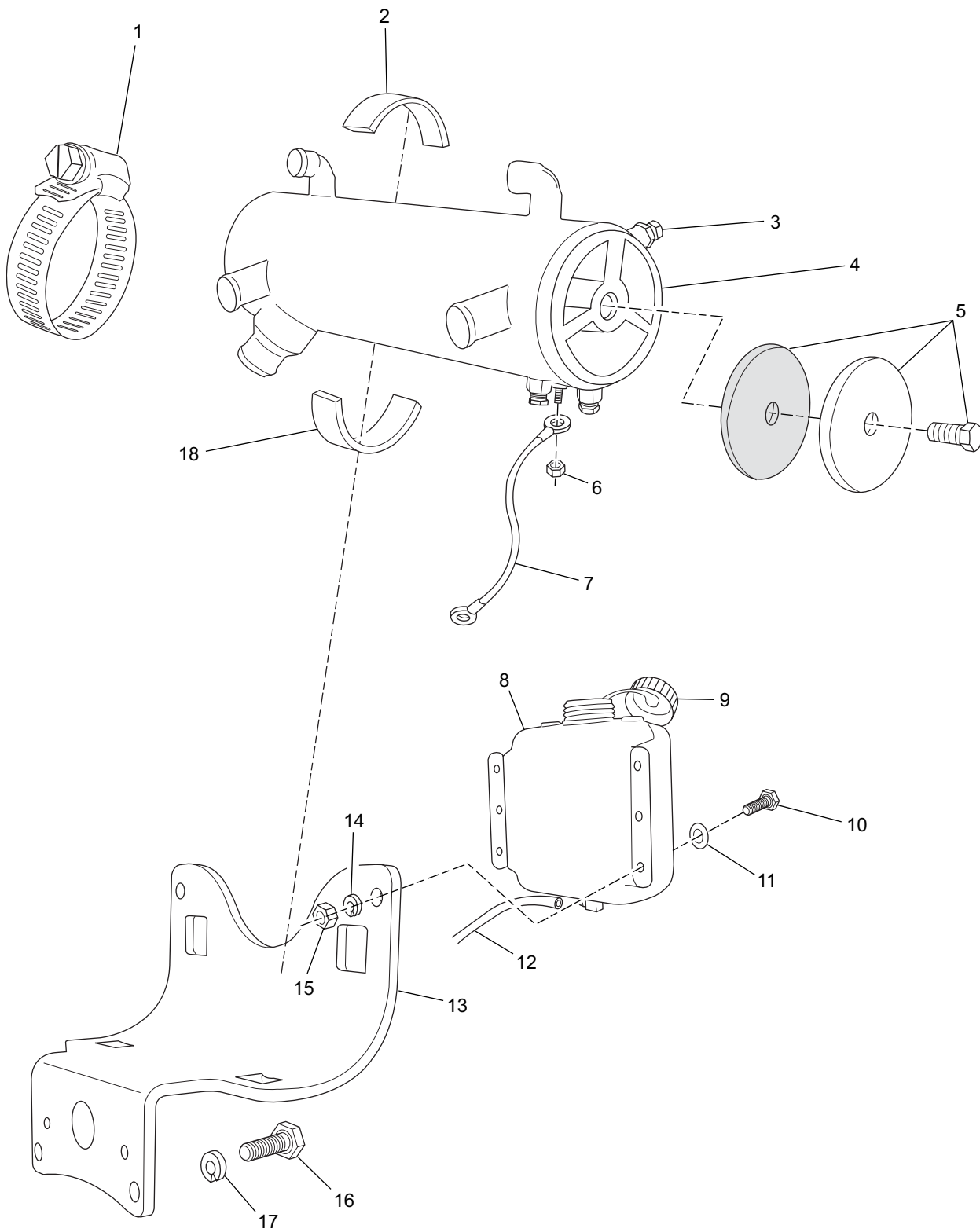


PC57B021a-05

## FUEL CONTROL CELL (FCC) COMPONENTS ('05) (V-Drive)- FIGURE 16

ITEM	PART NUMBER	DESCRIPTION	QUANTITY
1	RA085090B	<b>Hose Assembly</b> , FCC to fuel rail (inlet)	1
2	RA085091B	<b>Hose Assembly</b> , fuel rail to FCC (return)	1
3	R024225	<b>Fitting</b> , 90 degree	1
4	R096142	<b>Washer</b> , fuel pump mounting	3
5	RS1521L	<b>Locking Nut</b> , low-pressure fuel pump	3
6	R094035	<b>Grommet</b> , mounting bracket	3
7	R090299	<b>Bracket</b> , LPFP mounting (FWC)	1
8	R096141	<b>Washer</b> , fuel pump mounting	3
9	RA080018	<b>Fuel Pump</b> , low-pressure	1
10	R024017	<b>Fitting</b> , 90 degree	2
11	RA085102	<b>Hose Assembly</b> , low-pressure pump to FCC (Raw Water Cooling)	1
11	RA085102A	<b>Hose Assembly</b> , low-pressure pump to FCC (Fresh Water Cooling)	1
12	RP080031	<b>Fuel Filter</b> , FCC assembly	1
13	R024224	<b>Fitting</b> , 90 degree	1
14	RS0304	<b>Bolt</b> , FCC mounting bracket	2
15	RS2180	<b>Lockwasher</b> , FCC mounting bracket	2
16	R090204	<b>Bracket</b> , FCC/LPFP mounting (RWC)	1
16A	R090296	<b>Bracket</b> , FCC mounting (FWC)	1
17	RS2180	<b>Lockwasher</b> , FCC mounting	3
18	RS0304	<b>Bolt</b> , FCC mounting	3
19	R127100	<b>Locking Clip</b> , fuel line	2
20	RA077014	<b>Fuel Pre-Filter Assembly</b>	1
21	R143174	<b>Decal</b> , prefilter	1
22	RP077014	<b>Gasket/Filter Kit</b> , prefilter	1
23	30641	<b>Fitting</b> , fuel line	1
24	R1210085B	<b>Harness</b> , 1 piece, FCC high pressure fuel pump (1-piece harness <b>does not</b> retrofit for 2-piece)	1
24A	91620025	<b>Screw</b> , self-tapping, 1 piece harness retaining	1
24B	RA121061	<b>Harness</b> , 2 piece, FCC high pressure fuel pump	1
24C	RA121060	<b>Harness</b> , 2 piece, FCC high pressure fuel pump	1
24D	7172040	<b>Connector</b> , W/P 2-Way Female	1
25	R024175	<b>Fitting</b> , FCC head (fuel supply line)	1
26	R024163A	<b>Fitting</b> , FCC head (fuel return line)	1
27	RS3550	<b>Plug</b> , FCC head	1
28	R047241	<b>O'Ring</b> , FCC bowl-to-head seal	2
29	R024219	<b>Fitting</b> , FCC internal	1
30	R127087	<b>Clamp</b> , Oeticker	2
31	R045098B	<b>Hose</b> , FCC internal fuel	1
32	RA080025A	<b>Pump</b> , FCC high pressure fuel	1
33	R080026	<b>Filter</b> , FCC	1
NI	RP080026	<b>Kit, Filter and O-Rings</b> , FCC	1
34	R171010	<b>Clamp</b> , FCC bowl-to-head retaining	1
35	R128002	<b>Cover</b> , FCC clamp T-bolt	1
36	R143112A	<b>Decal</b> , FCC	1
37	RS3554	<b>Plug</b> , FCC drain	1

HEAT EXCHANGER and COMPONENTS ('02-'03) - FIGURE 17



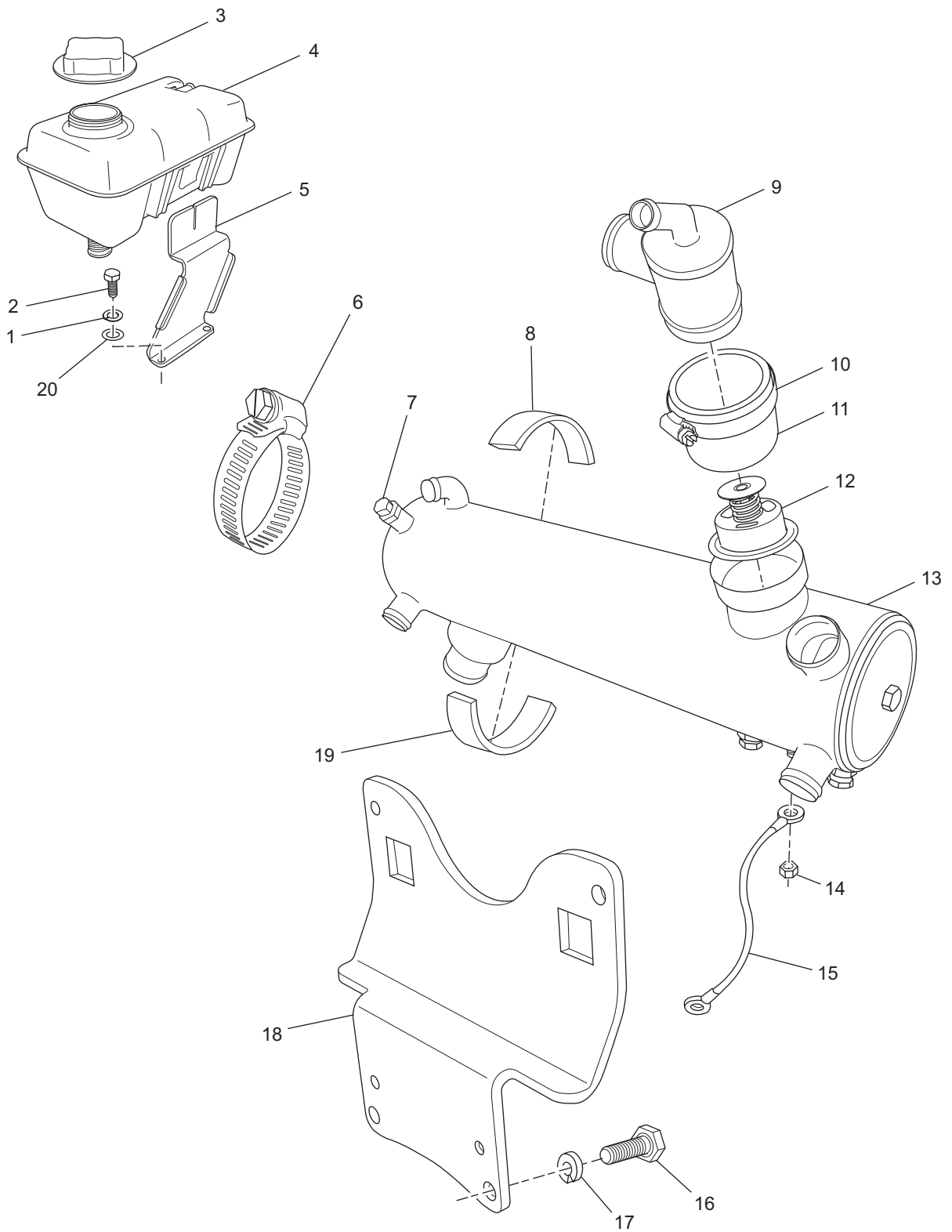
PC57B033



## HEAT EXCHANGER and COMPONENTS ('02-'03) - FIGURE 17

ITEM	PART NUMBER	DESCRIPTION	QUANTITY
1	RS3857	<b>Clamp</b> , exchanger mounting	2
2	R094041	<b>Isolator</b> , top	2
3	R168005	<b>Zinc</b> , sacrificial	1
4	RA147046	<b>Heat Exchanger Assembly</b>	1
5	R034024	<b>End Cap Kit</b> , exchanger	AR
6	RS1078	<b>Nut</b> , ground wire stud	1
7	R101013	<b>Wire</b> , grounding	1
8	R146002	<b>Bottle</b> , coolant overflow	1
9	NSS	<b>Cap</b> , coolant fill (P/O item #8)	1
10	RS0282	<b>Bolt</b> , coolant overflow mounting	2
11	RS2673	<b>Washer</b> , mounting bolt	2
12	R045139	<b>Tube</b> , overflow	1
13	R090265	<b>Bracket</b> , H.E. (PCM bell housing)	1
13	R090266	<b>Bracket</b> , H.E. (new style bell housing)	1
14	RS2179	<b>Lockwasher</b> , mounting bolt	2
15	RS1027	<b>Nut</b> , mounting bolt	2
16	RS0281	<b>Bolt</b> , bracket (R090265) mounting	2
16	RS0304	<b>Bolt</b> , bracket (R090266) mounting	2
17	RS2179	<b>Lockwasher</b> , bracket (R090265) mounting	2
17	RS2180	<b>Lockwasher</b> , bracket (R090266) mounting	2
18	R094040	<b>Isolator</b> , bottom	2

HEAT EXCHANGER and COMPONENTS ('04) (SERPENTINE BELT SYSTEM) - FIGURE 18

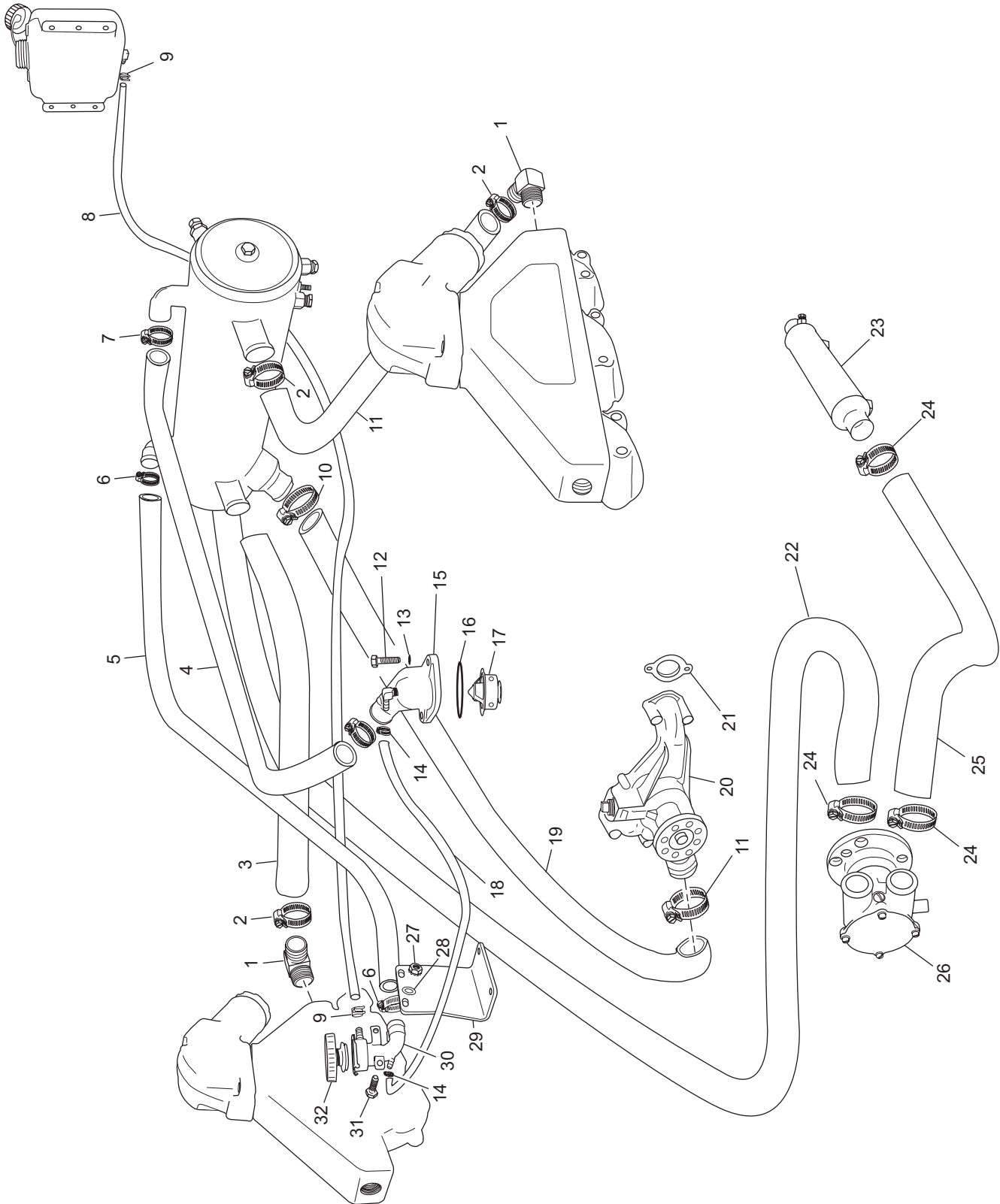


PC57B033a

## HEAT EXCHANGER and COMPONENTS (SERPENTINE BELT SYSTEM) - FIGURE 18

ITEM	PART NUMBER	DESCRIPTION	QUANTITY
1	RS2672	<b>Lockwasher</b> , mounting bolt	2
2	98223016	<b>Bolt</b> , degas bottle bracket mounting	2
3	R034045	<b>Cap</b> , degas bottle	1
4	R146001	<b>Bottle</b> , degas	1
NI	R143169	<b>Decal</b> , specification, 5.0L	1
NI	R143170	<b>Decal</b> , specification, 5.7L	1
NI	R143153	<b>Decal</b> , coolant fill	1
5	R090295	<b>Bracket</b> , degas bottle mounting	1
6	RS3857	<b>Clamp</b> , exchanger mounting	2
7	R168005	<b>Zinc</b> , sacrificial	1
8	R094040	<b>Isolator</b> , top	2
9	R025039	<b>Thermostat Housing</b>	1
10	RS3860	<b>Clamp</b> , thermostat housing	2
11	R045162	<b>Hose</b> , thermostat housing attaching	1
12	R026007	<b>Thermostat</b> , (170 degree)	1
13	RA147050	<b>Heat Exchanger Assembly</b>	1
14	RS1078	<b>Nut</b> , ground wire stud	1
15	R101013	<b>Wire</b> , grounding	1
16	RS0304	<b>Bolt</b> , bracket mounting	2
17	RS2180	<b>Lockwasher</b> , bracket mounting	2
18	R090266	<b>Bracket</b> , heat exchanger	1
19	R094040	<b>Isolator</b> , bottom	1
20	RS7068	<b>Washer</b> , mounting bolt	2
N.I.	TBD	<b>End Cap Kit</b> , exchanger	AR
NI	R143155	<b>Decal</b> , Protective Anode	1
NI	R143159	<b>Decal</b> , 5.7L Emission (C.A.R.B.) '03 MY	1
NI	R143159-04	<b>Decal</b> , 5.7L Emission (C.A.R.B.) '04 MY	1
NI	R143159A	<b>Decal</b> , 5.7L Emission (C.A.R.B.) '05 MY	1
NI	R143158	<b>Decal</b> , "Ultra Low Emission"	1
NI	R143156	<b>Decal</b> , Raw Water Drain	1
NI	R143157	<b>Decal</b> , Fresh Water Drain	1

FRESH WATER COOLING SYSTEM COMPONENTS (CRANK-DRIVEN RAW WATER PUMP)  
- FIGURE 19

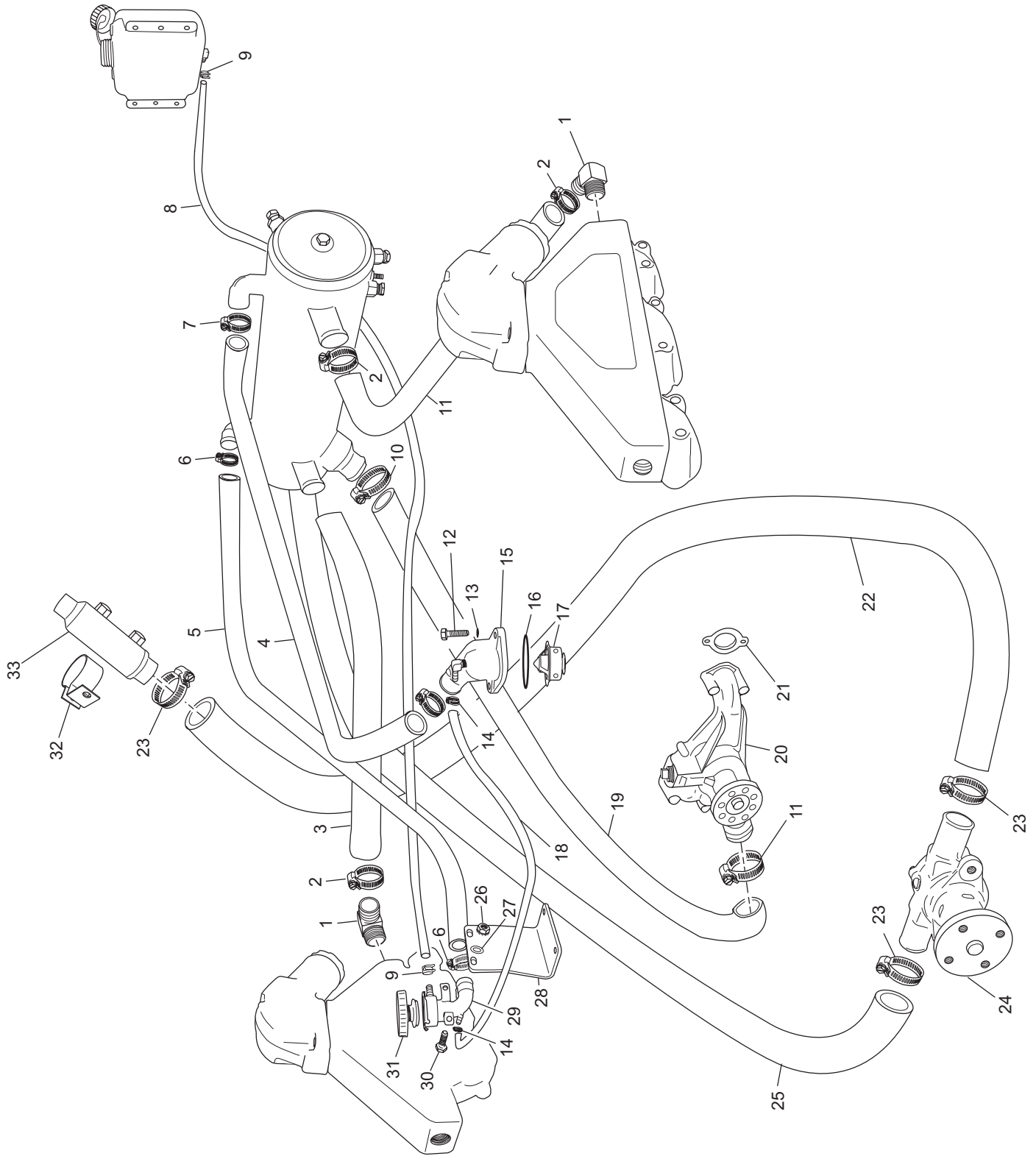


PC57B034

FRESH WATER COOLING SYSTEM COMPONENTS (CRANK-DRIVEN RAW WATER PUMP)  
- FIGURE 19

ITEM	PART NUMBER	DESCRIPTION	QUANTITY
1	R024006A	<b>Fitting</b> , 90 degree	1
2	RS3851	<b>Clamp</b> , hose	4
3	R045025	<b>Hose</b> , exchanger to exhaust manifold (Starboard STD)	1
4	R045144	<b>Hose</b> , thermostat housing to exchanger	1
5	R045124	<b>Hose</b> , coolant fill riser to exchanger	1
6	RS3851	<b>Clamp</b> , hose	2
7	RS3858	<b>Clamp</b> , hose	2
8	R045139	<b>Hose</b> , coolant fill riser to overflow bottle	1
9	R127084	<b>Clamp</b> , hose	2
10	RS3852	<b>Clamp</b> , hose	2
11	R045025	<b>Hose</b> , exchanger to exhaust manifold (Port STD)	1
12	RS6531	<b>Bolt</b> , thermostat housing attaching	2
13	RS2179	<b>Lockwasher</b> , thermostat housing attaching	2
14	RS3870	<b>Clamp</b> , hose	2
15	R025015A	<b>Thermostat Housing</b>	1
16	R047189	<b>O-ring</b> , thermostat	1
17	R026002F	<b>Thermostat</b> , (160 degree)	1
18	R045132	<b>Hose</b> , thermostat housing to coolant fill riser	1
19	R045146	<b>Hose</b> , exchanger to circulation pump	1
20	RA057027	<b>Water Pump Assembly</b>	1
21	RM0266	<b>Gasket</b> , water pump to engine block	2
22	R045102A	<b>Hose</b> , raw water pump to exchanger	1
23	R147014	<b>Cooler</b> , oil, transmission	1
24	RS3858	<b>Clamp</b> , hose	4
25	R045113	<b>Hose</b> , oil cooler to raw water pump	1
26	RA057026	<b>Raw Water Pump</b>	1
27	RS1026	<b>Nut</b> , fill tube attaching	2
28	RS2178	<b>Washer</b> , fill tube attaching	2
29	R090260A	<b>Bracket</b> , fill tube mounting	1
30	R034047	<b>Coolant Tube Riser</b>	1
31	RS0252	<b>Bolt</b> , fill tube attaching	2
32	R034006A	<b>Cap</b> , fill tube pressure (7 lb.)	1
NI	RK147046	<b>Kit</b> , Fresh Water Cooling, Direct Drive (See L591003 for Instructions and Contents)	AR
NI	RK147046A	<b>Kit</b> , Fresh Water Cooling, V-Drive (See L591004 for Instructions and Contents)	AR

FRESH WATER COOLING SYSTEM COMPONENTS (BELT-DRIVEN RAW WATER PUMP) -  
FIGURE 20

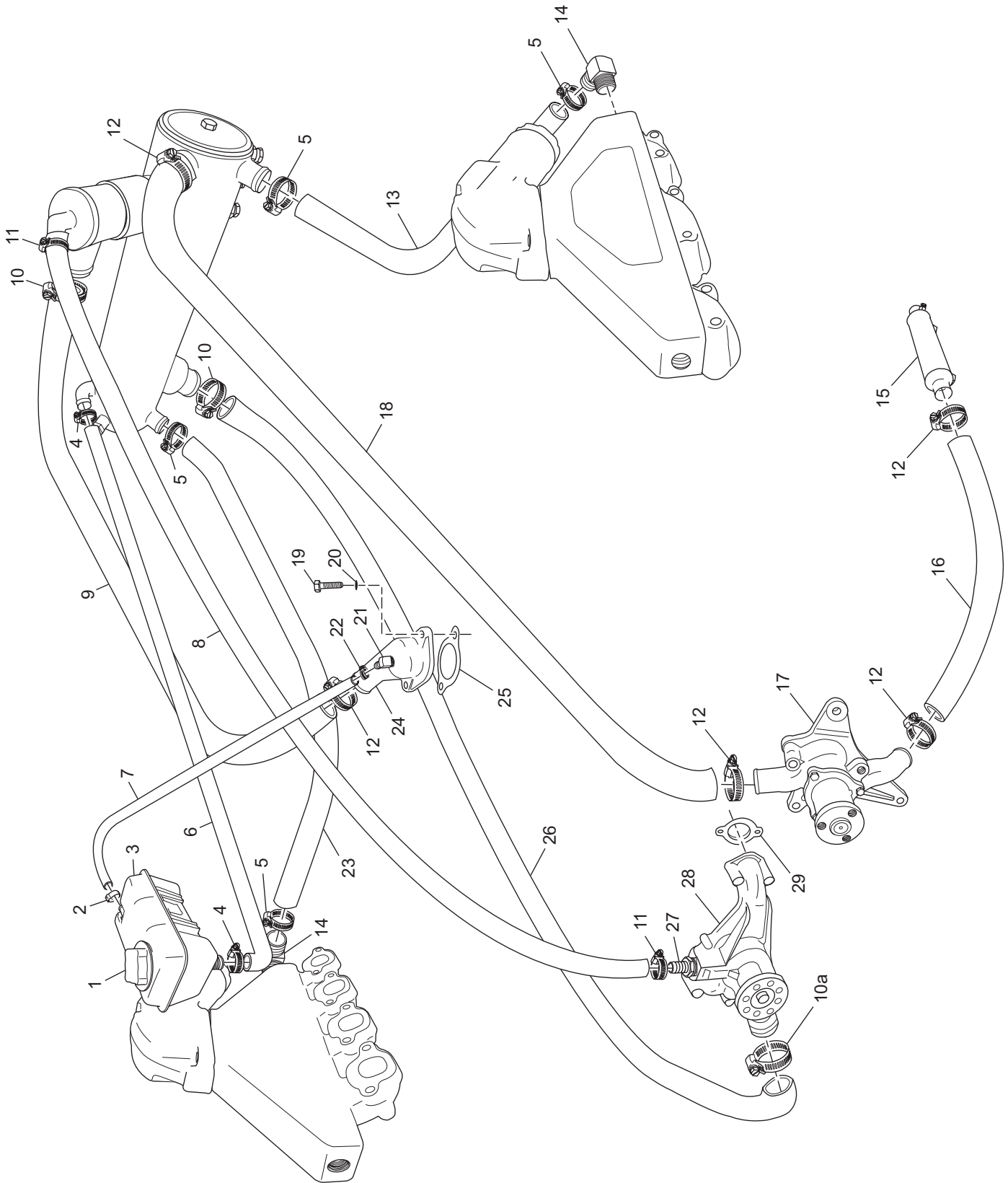


PC57B034a

FRESH WATER COOLING SYSTEM COMPONENTS (BELT-DRIVEN RAW WATER PUMP) -  
FIGURE 20

ITEM	PART NUMBER	DESCRIPTION	QUANTITY
1	R024006A	<b>Fitting</b> , 90 degree	2
2	RS3851	<b>Clamp</b> , hose	4
3	R045025	<b>Hose</b> , exchanger to exhaust manifold (Starboard STD)	1
4	R045144	<b>Hose</b> , thermostat housing to exchanger	1
5	R045124	<b>Hose</b> , coolant fill riser to exchanger	1
6	RS3851	<b>Clamp</b> , hose	2
7	RS3858	<b>Clamp</b> , hose	2
8	R045139	<b>Hose</b> , coolant fill riser to overflow bottle	1
9	R127084	<b>Clamp</b> , hose	2
10	RS3852	<b>Clamp</b> , hose	2
11	R045025	<b>Hose</b> , exchanger to exhaust manifold (Port STD)	1
12	RS6531	<b>Bolt</b> , thermostat housing attaching	2
13	RS2179	<b>Lockwasher</b> , thermostat housing attaching	2
14	RS3870	<b>Clamp</b> , hose	2
15	R025015A	<b>Thermostat Housing</b>	1
16	R047189	<b>O-ring</b> , thermostat	1
17	R026002F	<b>Thermostat</b> , (160 degree)	1
18	R045132	<b>Hose</b> , thermostat housing to coolant fill riser	1
19	R045146	<b>Hose</b> , exchanger to circulation pump	1
20	RA057027	<b>Water Pump Assembly</b>	1
21	RM0266	<b>Gasket</b> , water pump to engine block	2
22	R045021	<b>Hose</b> , oil cooler to raw water pump	1
23	RS3858	<b>Clamp</b> , hose	4
24	RS057031	<b>Raw Water Pump</b>	1
25	R045102A	<b>Hose</b> , raw water pump to exchanger	1
26	RS1026	<b>Nut</b> , fill tube attaching	2
27	RS2178	<b>Washer</b> , fill tube attaching	2
28	R090260A	<b>Bracket</b> , fill tube mounting	1
29	R034047	<b>Coolant Tube Riser</b>	1
30	RS0252	<b>Bolt</b> , fill tube attaching	2
31	R034006A	<b>Cap</b> , fill tube pressure (7 lb.)	1
32	R090010	<b>Clamp</b> , oil cooler	1
33	R147014	<b>Cooler</b> , oil, transmission	1
NI	RK147046	<b>Kit</b> , Fresh Water Cooling, Direct Drive (See L591003 for Instructions and Contents)	AR
NI	RK147046A	<b>Kit</b> , Fresh Water Cooling, V-Drive (See L591004 for Instructions and Contents)	AR

FRESH WATER COOLING SYSTEM COMPONENTS (SERPENTINE RAW WATER PUMP) - FIGURE 21



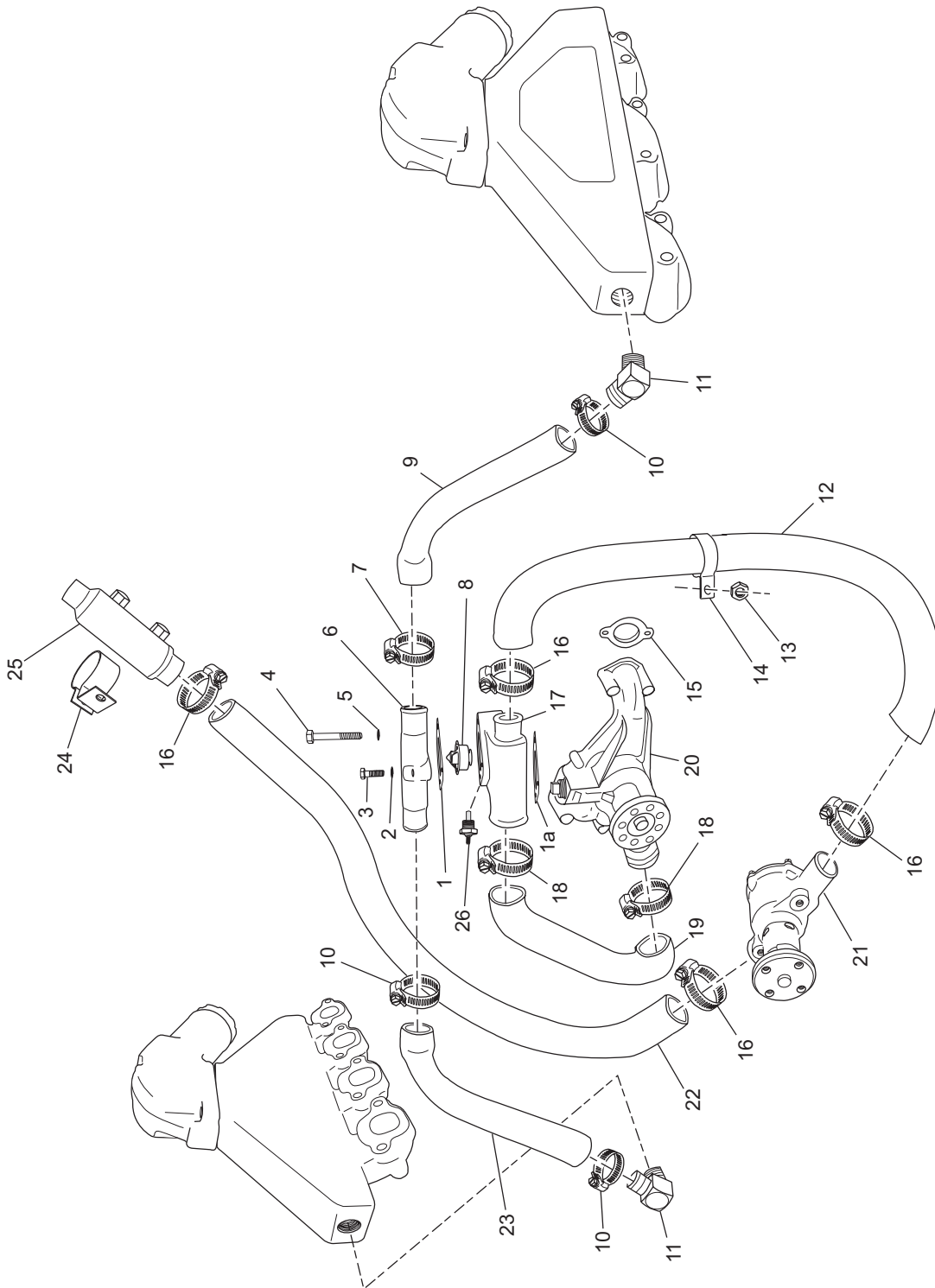
PC57B034b



## FRESH WATER COOLING SYSTEM COMPONENTS (SERPENTINE RAW WATER PUMP) - FIGURE 21

ITEM	PART NUMBER	DESCRIPTION	QUANTITY
1	R034045	<b>Cap</b> , degas bottle	1
2	R127087	<b>Clamp</b> , hose (5/8" oetiker)	1
3	R146001	<b>Bottle</b> , degas	1
4	RS3854	<b>Clamp</b> , hose (3/4")	2
5	RS3851	<b>Clamp</b> , hose (1")	4
6	R045161	<b>Hose</b> , degas bottle to exchanger	1
7	R045132	<b>Hose</b> , degas bottle to water neck (1/4" X 30")	1
8	R045086	<b>Hose</b> , water pump to thermostat housing (5/8" X 31")	1
9	R045144	<b>Hose</b> , water neck to exchanger	1
10	RS3858	<b>Clamp</b> , hose (1 1/2")	2
10a	RS3852	<b>Clamp</b> , hose (1 3/4")	1
11	RS3852	<b>Clamp</b> , hose (5/8")	2
12	RS3858	<b>Clamp</b> , hose (1 1/4")	5
13	R045151	<b>Hose</b> , exchanger to exhaust manifold (Port)	1
14	R024006A	<b>Fitting</b> , 90 degree	2
15	R147014	<b>Cooler</b> , oil, transmission	1
16	R045159	<b>Hose</b> , oil cooler to raw water pump (level installation with 1.23:1 transmission)	1
16	R045152	<b>Hose</b> , oil cooler to raw water pump (angled installation with 1.0:1 transmission)	1
17	RA057034	<b>Raw Water Pump</b>	1
18	R045163	<b>Hose</b> , raw water pump to exchanger	1
19	RS6531	<b>Bolt</b> , water neck attaching	2
20	RS2179	<b>Lockwasher</b> , water neck attaching	2
21	R024055	<b>Fitting</b> , 90 degree, water neck	1
22	RS3870	<b>Clamp</b> , hose (1/4")	1
23	R045151	<b>Hose</b> , exchanger to exhaust manifold (Starboard)	1
24	R025015A	<b>Water Neck</b>	1
25	RM0121	<b>Gasket</b> , water neck	1
26	R045146	<b>Hose</b> , exchanger to circulation pump	1
27	R024217	<b>Fitting</b> , straight, barbed; water pump	2
28	RA057027	<b>Water Pump Assembly</b>	1
29	RM0266	<b>Gasket</b> , water pump to engine block	2
NI	RK147050	<b>Kit</b> , Fresh Water Cooling, Direct Drive (See L591001 for Instructions and Contents)	AR
NI	RK147050A	<b>Kit</b> , Fresh Water Cooling, V-Drive (See L591002 for Instructions and Contents)	AR

RAW WATER COOLING SYSTEM COMPONENTS (BELT-DRIVEN RAW WATER PUMP) -  
FIGURE 22

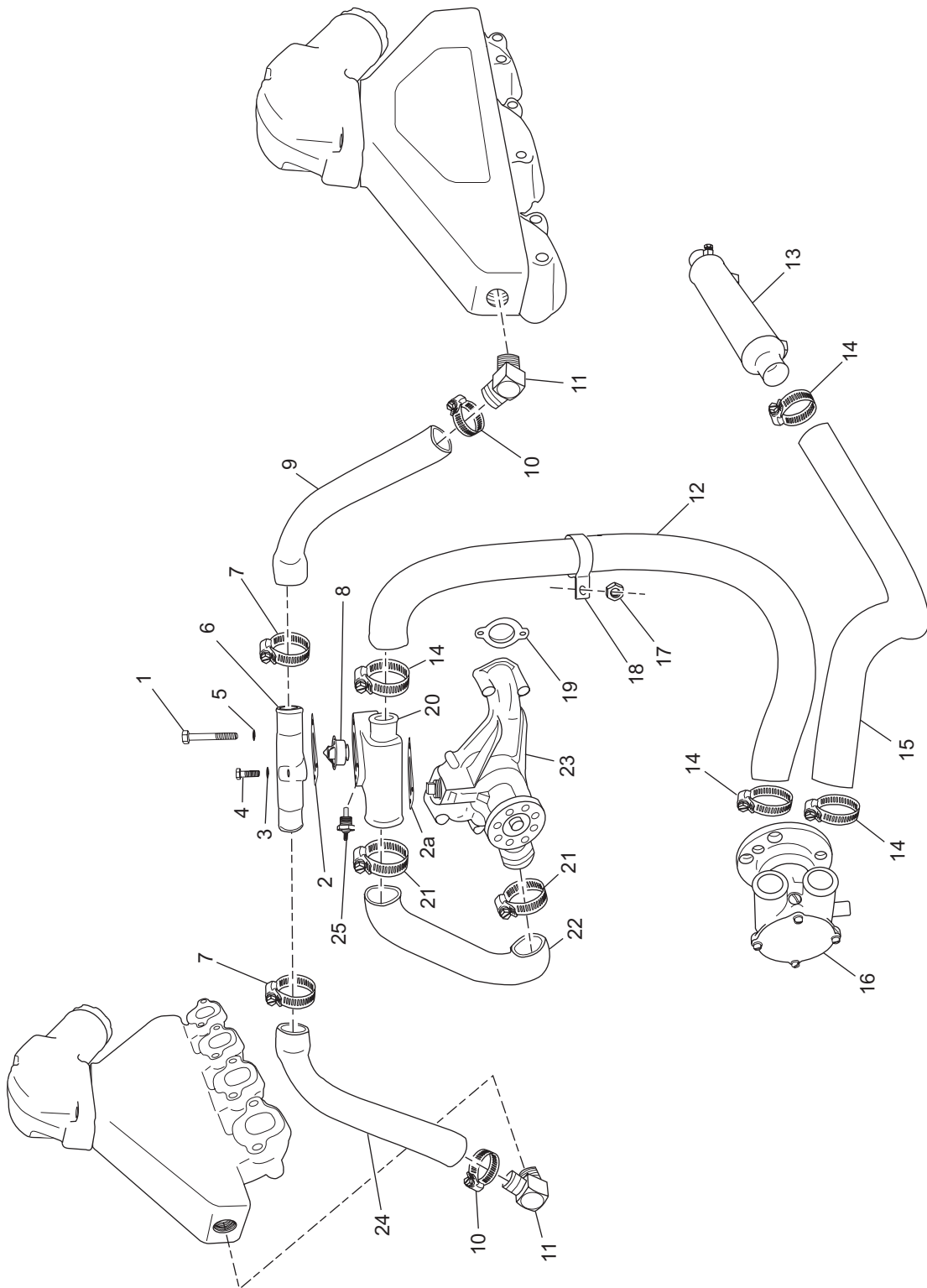


PC57B019

RAW WATER COOLING SYSTEM COMPONENTS (BELT-DRIVEN RAW WATER PUMP) -  
FIGURE 22

ITEM	PART NUMBER	DESCRIPTION	QUANTITY
1	RM0258	<b>Gasket</b> , upper fill riser to lower fill riser / lower to intake	1
1a	RM0121	<b>Gasket</b> , lower to intake	1
2	93920000	<b>Lockwasher</b> , attaching bolt	1
3	98223035	<b>Bolt</b> , upper fill riser to lower fill riser attaching	1
4	98333080	<b>Bolt</b> , upper fill riser to lower fill riser attaching	2
5	RS2179	<b>Lockwasher</b> , attaching bolt	2
6	R025033	<b>Fill Riser</b> , upper	1
7	RS3858	<b>Clamp</b> , hose	2
8	R026002	<b>Thermostat</b> , coolant (160 degree)	1
9	R045107	<b>Hose</b> , fill riser to exhaust manifold (port)	1
10	RS3851	<b>Clamp</b> , hose	2
11	R024006A	<b>Fitting</b> , 90 degree	2
12	R045135A	<b>Hose</b> , raw water pump to fill riser	1
13	RS1527	<b>Nut</b> , strap clamp attaching	1
14	R090082	<b>Clamp</b> , strap	1
15	RM0203	<b>Gasket</b> , water pump to engine block	2
16	RS3858	<b>Clamp</b> , hose	4
17	R025031	<b>Fill Riser</b> , lower	1
18	RS3852	<b>Clamp</b> , hose	2
19	R045048	<b>Hose</b> , fill riser to water pump	1
20	RA057027	<b>Water Pump Assembly</b>	1
21	RA057031	<b>Raw Water Pump Assembly</b>	1
22	R045021F	<b>Hose</b> , oil cooler to raw water pump	1
23	R045107	<b>Hose</b> , fill riser to exhaust manifold (starboard)	1
24	R090010	<b>Clamp</b> , oil cooler mounting	1
25	R147014	<b>Cooler</b> , oil, transmission	1
26	R020002	<b>Sensor</b> , temperature (in tstat housing)	1
NI	RK147046	<b>Kit</b> , Fresh Water Cooling, Direct Drive (See L591003 for Instructions and Contents)	AR
NI	RK147046A	<b>Kit</b> , Fresh Water Cooling, V-Drive (See L591004 for Instructions and Contents)	AR

RAW WATER COOLING SYSTEM COMPONENTS (CRANK-DRIVEN RAW WATER PUMP) -  
FIGURE 23

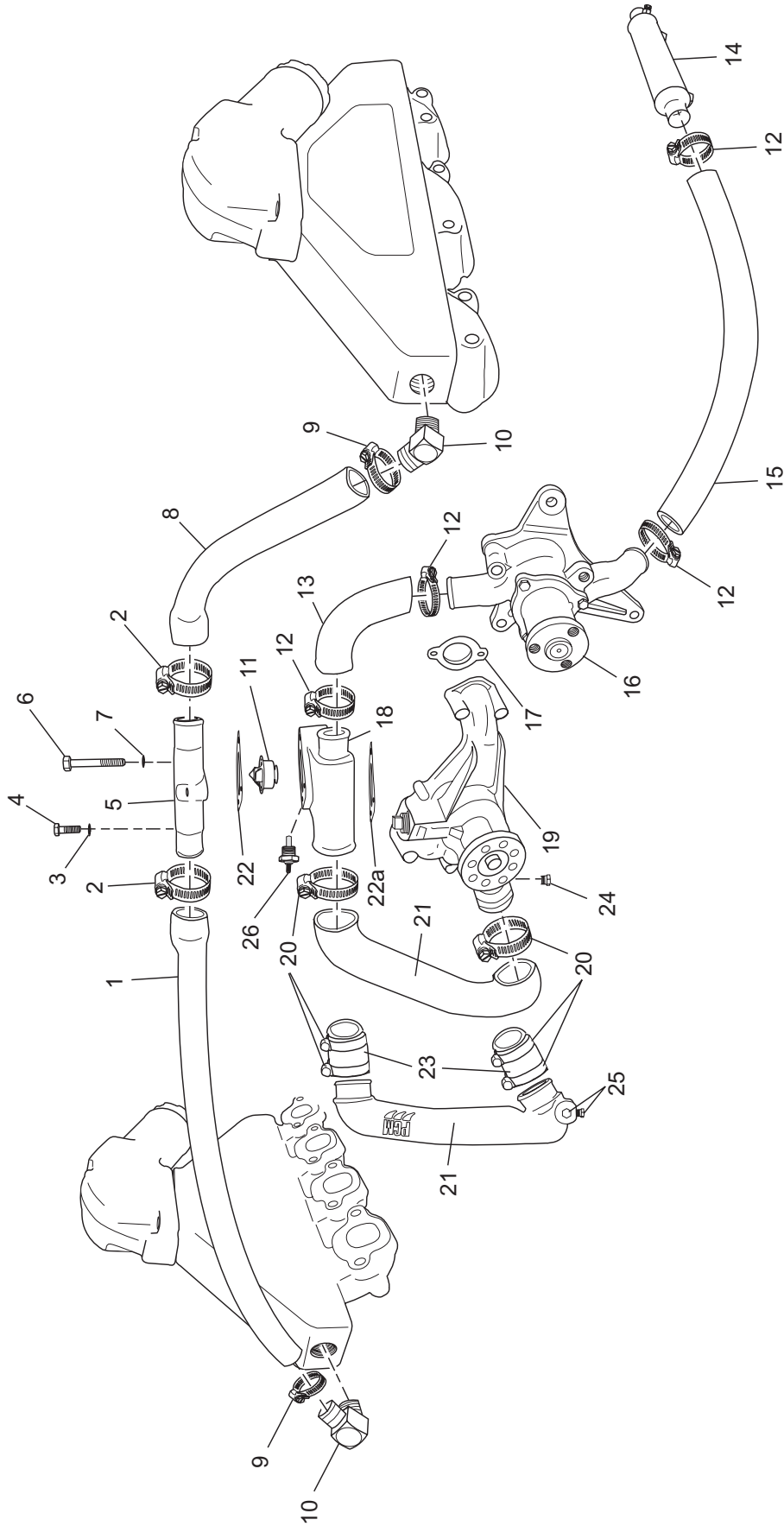


PC57B019a

RAW WATER COOLING SYSTEM COMPONENTS (CRANK-DRIVEN RAW WATER PUMP) -  
FIGURE 23

ITEM	PART NUMBER	DESCRIPTION	QUANTITY
1	90205200	<b>Bolt</b> , upper fill riser to lower fill riser attaching	2
2	RM0258	<b>Gasket</b> , upper fill riser to lower fill riser / lower to intake	1
2a	RM0121	<b>Gasket</b> , lower to intake	1
3	93920000	<b>Lockwasher</b> , attaching bolt	1
4	98223035	<b>Bolt</b> , upper fill riser to lower fill riser attaching	1
5	RS2180	<b>Lockwasher</b> , attaching bolt	2
6	R025033	<b>Fill Riser</b> , upper	1
7	RS3858	<b>Clamp</b> , hose	2
8	R026002	<b>Thermostat</b> , coolant (160 degree)	1
9	R045107	<b>Hose</b> , fill riser to exhaust manifold (port)	1
10	RS3851	<b>Clamp</b> , hose	2
11	R024006A	<b>Fitting</b> , 90 degree	2
12	R045097	<b>Hose</b> , raw water pump to fill riser	1
13	R147014	<b>Cooler</b> , oil, transmission	1
14	RS3858	<b>Clamp</b> , hose	4
15	R045113	<b>Hose</b> , oil cooler to raw water pump	1
16	RA057026	<b>Raw Water Pump Assembly</b>	1
17	RS1527	<b>Nut</b> , strap clamp attaching	1
18	R090082	<b>Clamp</b> , strap	1
19	RM0203	<b>Gasket</b> , water pump to engine block	2
20	R025031	<b>Fill Riser</b> , lower	1
21	RS3852	<b>Clamp</b> , hose	2
22	R045048	<b>Hose</b> , fill riser to water pump	1
23	RA057027	<b>Water Pump Assembly</b>	1
24	R045107	<b>Hose</b> , fill riser to exhaust manifold (starboard)	1
25	R020002	<b>Sensor</b> , temperature (in tstat housing)	1
NI	RK147046	<b>Kit</b> , Fresh Water Cooling, Direct Drive (See L591003 for Instructions and Contents)	AR
NI	RK147046A	<b>Kit</b> , Fresh Water Cooling, V-Drive (See L591004 for Instructions and Contents)	AR

RAW WATER COOLING SYSTEM COMPONENTS (SERPENTINE RAW WATER PUMP) - FIGURE 24

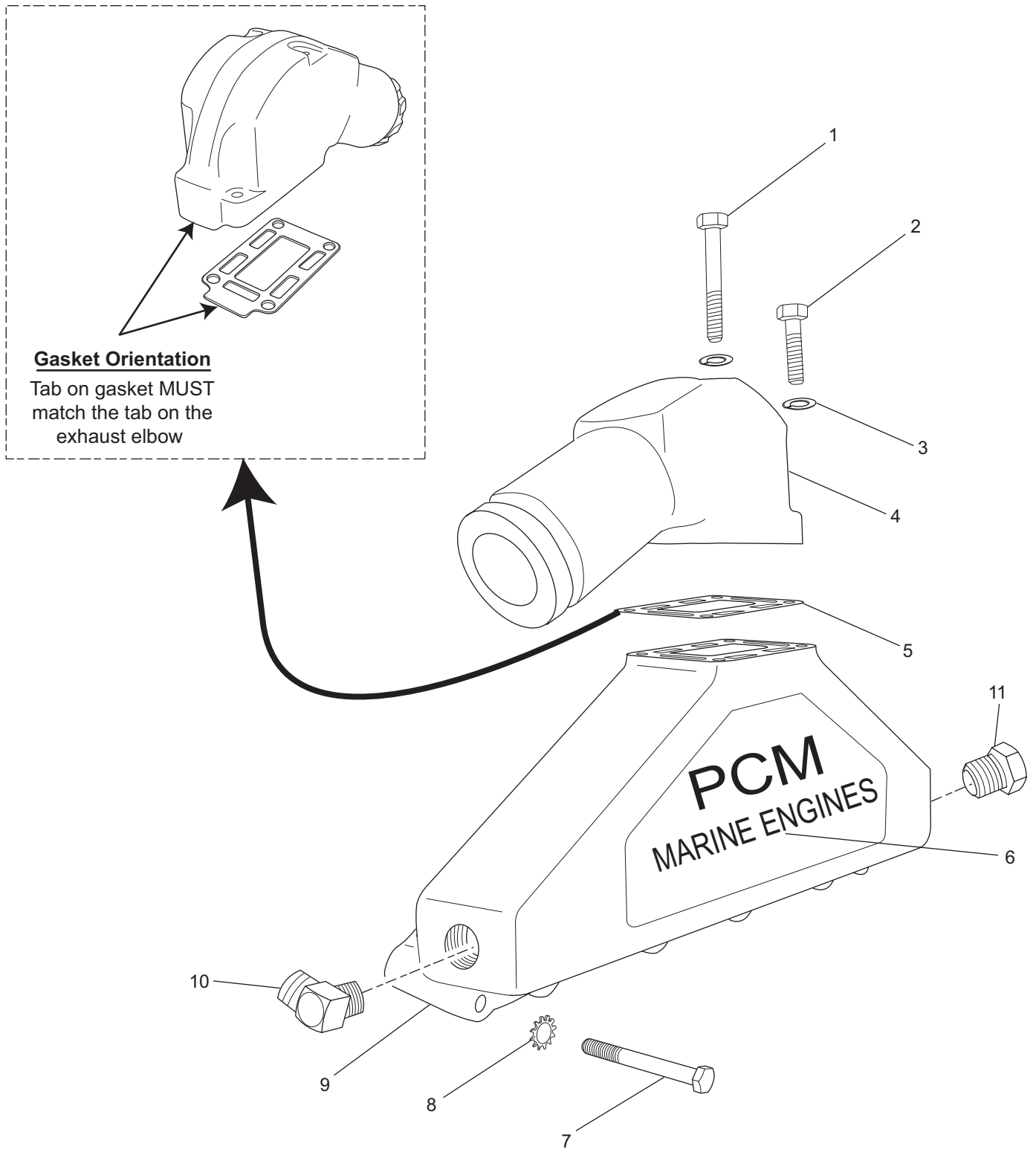


PC57B019b\_05

## RAW WATER COOLING SYSTEM COMPONENTS (SERPENTINE RAW WATER PUMP) - FIGURE 24

ITEM	PART NUMBER	DESCRIPTION	QUANTITY
1	R045107	<b>Hose</b> , fill riser to exhaust manifold (starboard)	1
2	RS3858	<b>Clamp</b> , hose	6
3	93920000	<b>Lockwasher</b> , attaching bolt	1
4	98223035	<b>Bolt</b> , upper fill riser to lower fill riser attaching	1
5	R025033	<b>Fill Riser</b> , upper	1
6	90205200	<b>Bolt</b> , upper fill riser to lower fill riser attaching	2
7	RS2180	<b>Lockwasher</b> , attaching bolt	2
8	R045107	<b>Hose</b> , fill riser to exhaust manifold (port)	1
9	RS3851	<b>Clamp</b> , hose	2
10	R024006A	<b>Fitting</b> , 90 degree	2
11	R026002	<b>Thermostat</b> , coolant (160 degree)	1
12	RS3858	<b>Clamp</b> , hose (1 1/4")	3
13	R045160	<b>Hose</b> , raw water pump to fill riser	1
14	R147014	<b>Cooler</b> , oil, transmission	1
15	R045159	<b>Hose</b> , oil cooler to raw water pump (level installation with 1.23:1 transmission)	1
15	R045152	<b>Hose</b> , oil cooler to raw water pump (angled installation with 1.0:1 transmission)	1
16	RA057034	<b>Raw Water Pump Assembly</b>	1
17	RM0203	<b>Gasket</b> , water pump to engine block	2
18	R025031	<b>Fill Riser</b> , lower	1
19	RA057027	<b>Water Pump Assembly</b>	1
20	RS3852	<b>Clamp</b> , hose	AR
21	R045048	<b>Hose</b> , fill riser to water pump	1
21	R024220	<b>Connector</b> , fill riser to water pump (Red)	AR
21	R024220A	<b>Connector</b> , fill riser to water pump (Black)	AR
22	RM0258	<b>Gasket</b> , upper fill riser to lower fill riser	1
22a	RM0121	<b>Gasket</b> , lower fill riser to intake manifold	1
23	R045169A	<b>Hose</b> , Connector to fill riser and water pump	2
24	RS3554	<b>Plug</b> , water pump drain	1
25	RS3552	<b>Plug</b> , Connector drain	1
26	R020002	<b>Sensor</b> , temperature (in tstat housing)	1
NI	RK147050	<b>Kit</b> , Fresh Water Cooling, Direct Drive (See L591001 for Instructions and Contents)	AR
NI	RK147050A	<b>Kit</b> , Fresh Water Cooling, V-Drive (See L591002 for Instructions and Contents)	AR

EXHAUST MANIFOLD and COMPONENTS - FIGURE 25



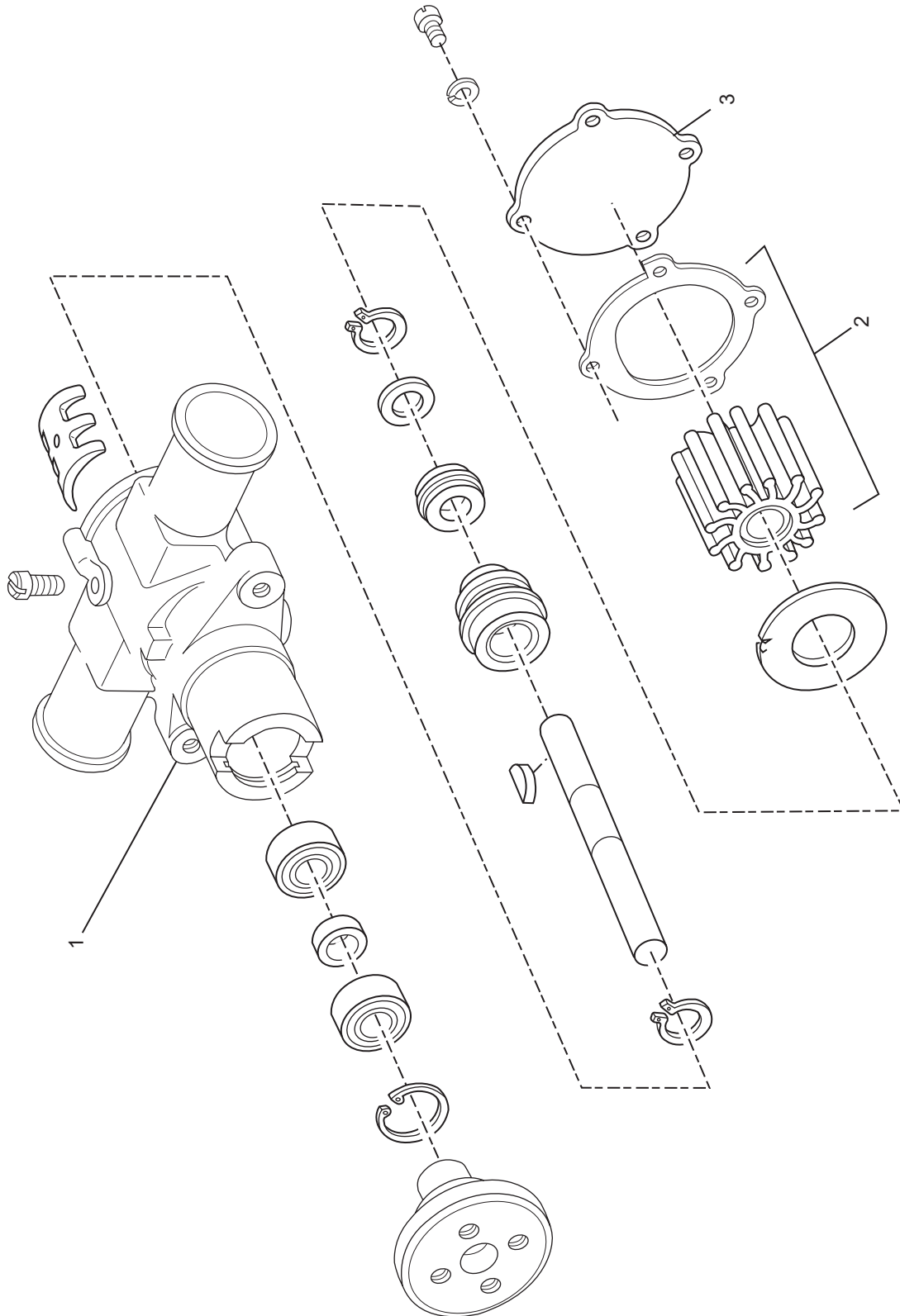
PC57B026



## EXHAUST MANIFOLD and COMPONENTS - FIGURE 25

ITEM	PART NUMBER	DESCRIPTION	QUANTITY
1	RS0387	<b>Bolt</b> , exhaust elbow attaching (long)	4
2	RS0285	<b>Bolt</b> , exhaust elbow attaching (short)	4
3	RS2179	<b>Lockwasher</b> , exhaust elbow attaching bolt	8
4	R029011	<b>Exhaust Elbow Assembly</b>	2
5	RM0002	<b>Gasket</b> , manifold to exhaust elbow	2
6	R143002E	<b>Decal</b> , exhaust manifold	2
6	R143002H	<b>Decal</b> , exhaust manifold (MY '05)	2
7	RS0454	<b>Bolt</b> , manifold to cylinder head attaching	16
8	RS2425	<b>Starwasher</b> , manifold attaching bolt	16
9	R028009	<b>Exhaust Manifold Assembly</b>	2
10	R024006A	<b>Fitting</b> , 90 degree	2
NI	RP173091	<b>Kit</b> , Exhaust Service	AR
<p><b>*NOTE:</b> See Fresh Water Cooling section for parts used on Fresh Water Cooled engines.</p>			

RAW WATER COOLING PUMP (BELT-DRIVEN) - FIGURE 26

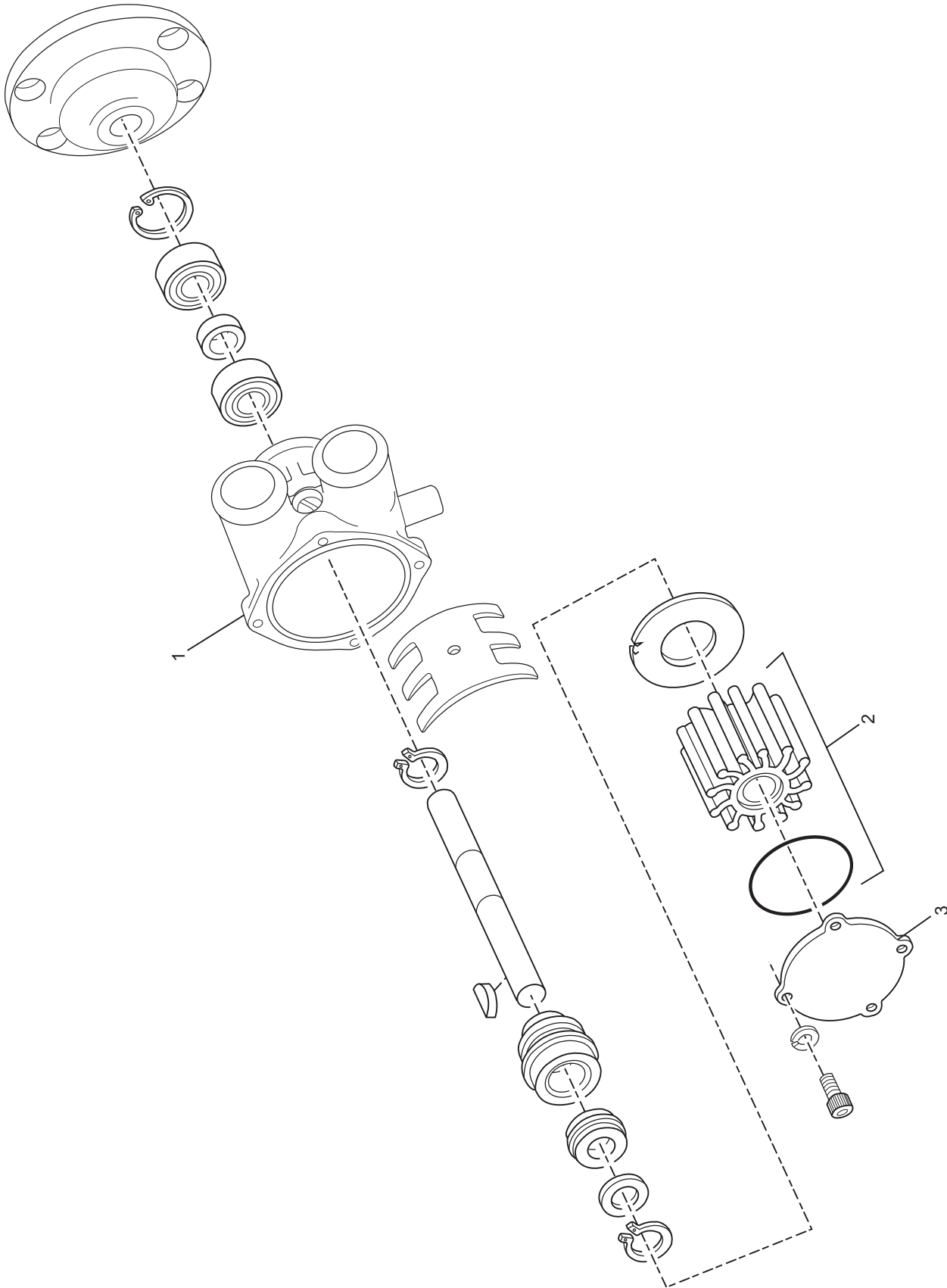


PC57B027

## RAW WATER COOLING PUMP (BELT-DRIVEN) - FIGURE 26

ITEM	PART NUMBER	DESCRIPTION	QUANTITY
1	RA057031	<b>Raw Water Pump Assembly</b>	1
2	RP061017	<b>Kit</b> , impeller	1
3	40060	<b>Cover</b> , raw water pump	1
3	R109055	<b>Cover</b> , raw water pump, March '05 and newer	1

RAW WATER COOLING PUMP (CRANK-DRIVEN) - FIGURE 27

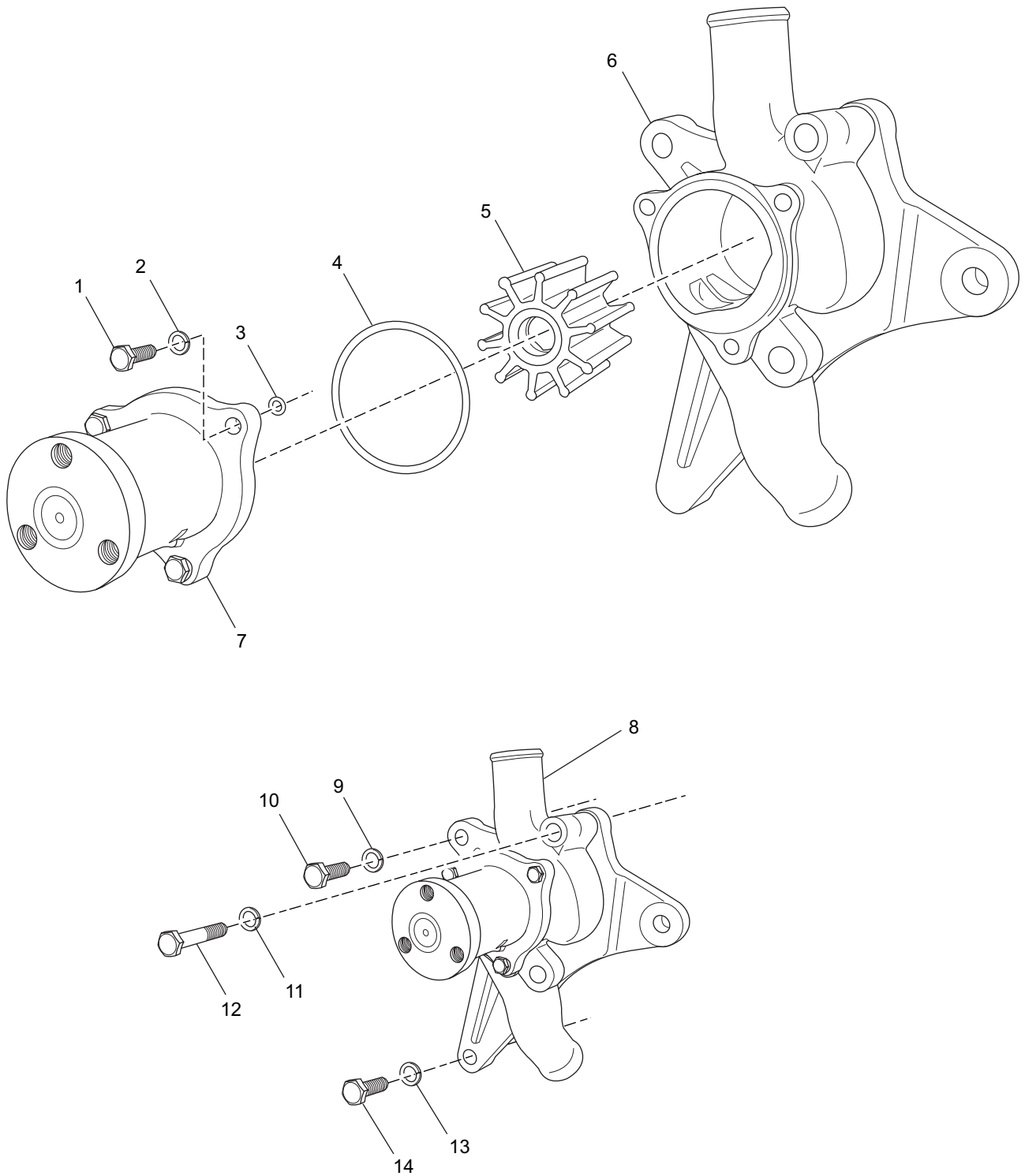


PC57B028

## RAW WATER COOLING PUMP (CRANK-DRIVEN) - FIGURE 27

ITEM	PART NUMBER	DESCRIPTION	QUANTITY
1	RA057026	<b>Raw Water Pump Assembly</b>	1
2	RP061017	<b>Kit</b> , impeller	1
3	40060	<b>Cover</b> , raw water pump	1
3	R109055	<b>Cover</b> , raw water pump, March '05 and newer	1

RAW WATER COOLING PUMP (SERPENTINE) - FIGURE 28

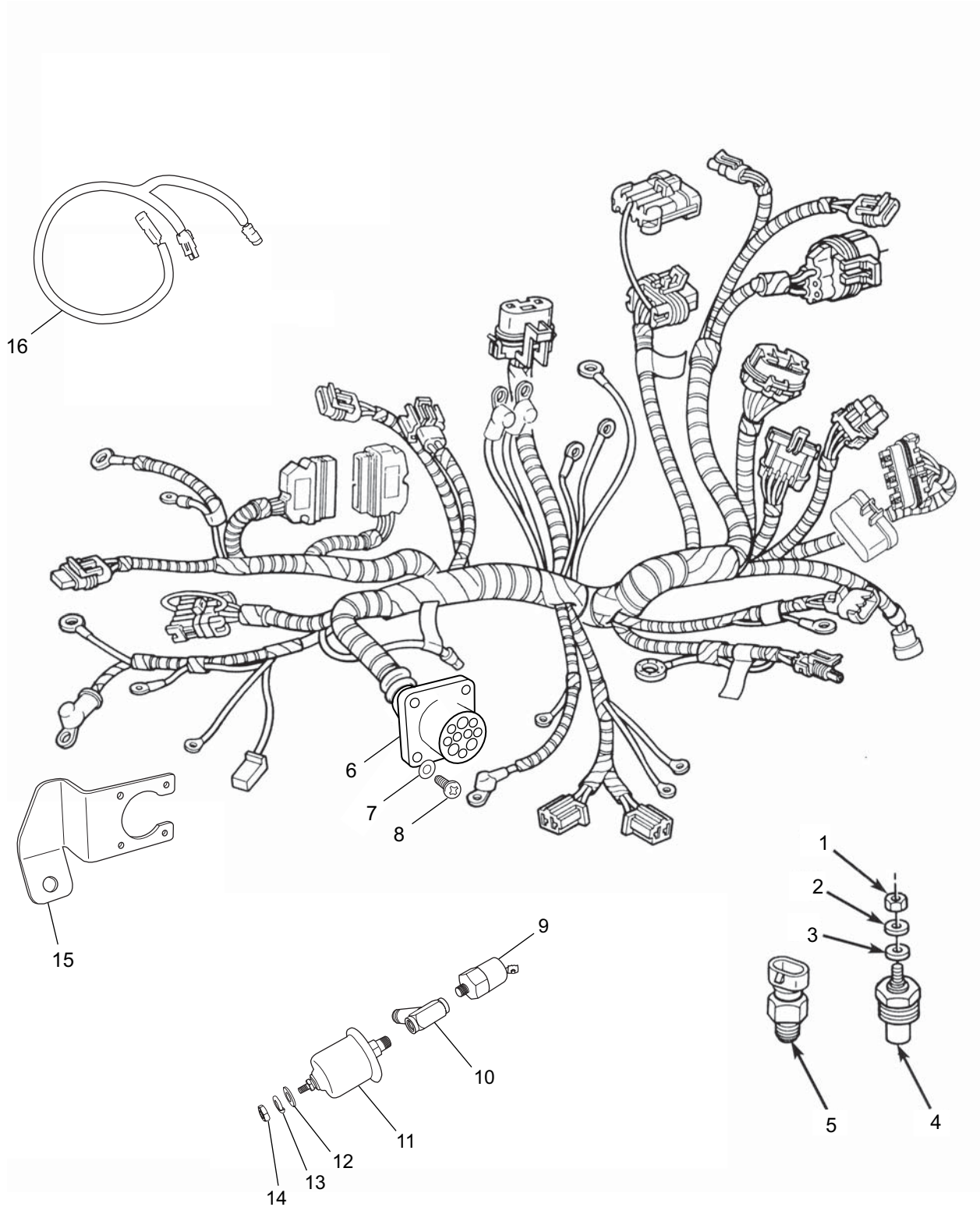


PC57B028a

## RAW WATER COOLING PUMP (SERPENTINE) - FIGURE 28

ITEM	PART NUMBER	DESCRIPTION	QUANTITY
1	TBD	<b>Bolt</b> , bearing housing attaching	3
2	TBD	<b>Lockwasher</b> , bearing housing attaching bolt	3
3	R047243	<b>O-ring</b> , bearing housing attaching bolt	3
4	R047242	<b>O-ring</b> , bearing housing attaching	1
5	RP061022	<b>Impeller Kit</b> (includes O-rings and impeller)	1
6	R057034	<b>Housing</b> , raw water pump	1
7	RA134071	<b>Bearing Housing Assembly</b>	1
8	RA057034	<b>Raw Water Pump Assembly</b>	1
9	RS2180	<b>Lockwasher</b> , raw water pump attaching; upper left flange	1
10	RS0306	<b>Bolt</b> , raw water pump attaching; upper left flange	1
11	RS2180	<b>Lockwasher</b> , raw water pump attaching; upper right flange	1
12	RS0454	<b>Bolt</b> , raw water pump attaching; upper right flange	1
13	RS2180	<b>Lockwasher</b> , raw water pump attaching; lower left flange	1
14	RS0306	<b>Bolt</b> , raw water pump attaching; lower left flange	1

WIRING HARNESS ASSEMBLIES and SENDERS - FIGURE 29



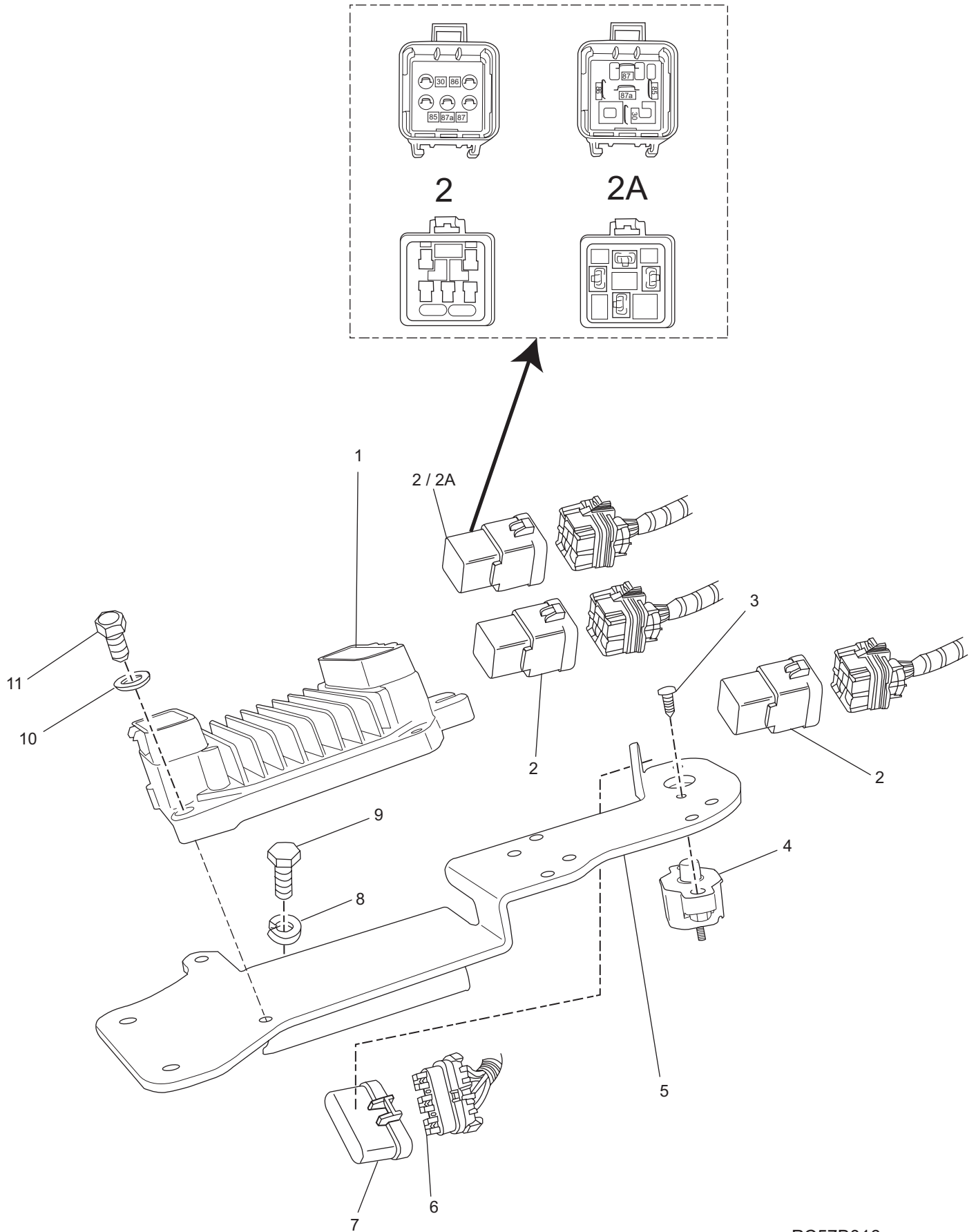
PC57B025



## WIRING HARNESS ASSEMBLIES and SENDERS - FIGURE 29

ITEM	PART NUMBER	DESCRIPTION	QUANTITY
1	RS1540	<b>Nut</b> , sender terminal	1
2	RS2197	<b>Lockwasher</b> , sender terminal	1
3	RS2746	<b>Washer</b> , sender terminal	1
4	R020003	<b>Sender</b> , temperature (FWC, intake manifold)	1
4	R020002	<b>Sender</b> , temperature (RWC, tstat housing)	1
5	R020019	<b>Sensor</b> , engine coolant temperature (ECT)	1
6	RA121079A	<b>Engine Wiring Harness Assembly</b> ('02-'05) (MUST be used with relay, p/n R130011A)	1
7	R096142	<b>Washer</b> , main harness attaching	4
8	RS5115	<b>Screw</b> , main harness attaching	4
9	R020015A	<b>Switch</b> , oil pressure	1
10	R024205	<b>Tee</b> , sender attaching	1
11	R020001	<b>Sender</b> , oil pressure	1
12	RS2746	<b>Washer</b> , sender terminal	1
13	RS2197	<b>Lockwasher</b> , sender terminal	1
14	RS1540	<b>Nut</b> , sender terminal	1
15	R090251	<b>Bracket</b> , main harness attaching	1
16	RA121062C	<b>Harness</b> , jumper (V-drive applications)	AR
N.I.	R153018A	<b>100 amp Fused Wire</b> , starter to circuit breaker	1

ECM and RELAYS - FIGURE 30

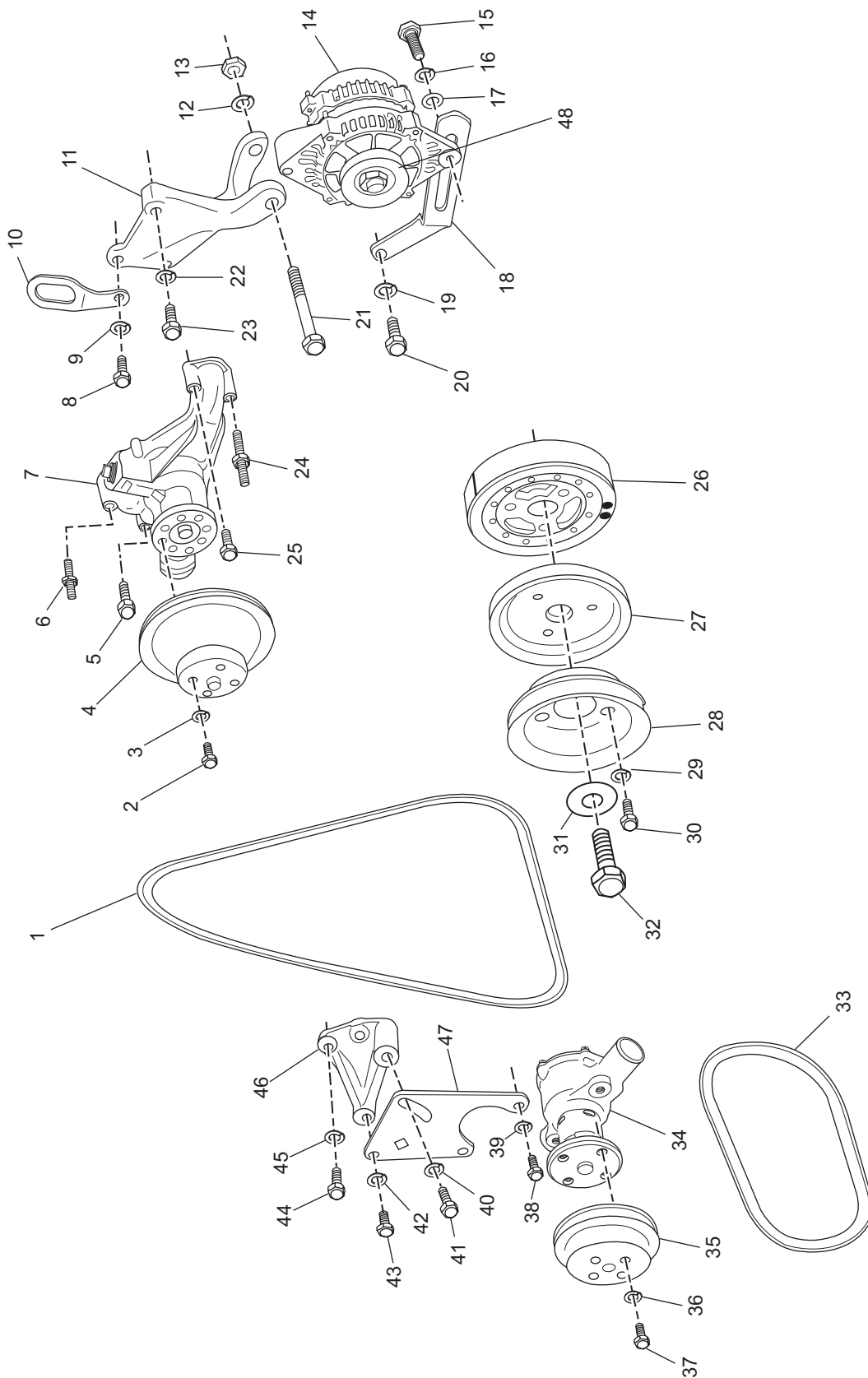


PC57B016

## ECM and RELAYS - FIGURE 30

ITEM	PART NUMBER	DESCRIPTION	QUANTITY
1	R116021L cksum - 16259 (3F83)	<b>Engine Control Module (5.0L - LH)</b> (With 10-Pin boat harness connector)	AR
1	R116021B cksum - 33193 (81A9)	<b>Engine Control Module (5.7L - LH)</b> (With 10-Pin boat harness connector)	AR
2	R130012	<b>Relay</b> , fuel pump, ignition, starter (s/n 420000 thru 440611)	3
2A	R130011A	<b>Relay</b> , fuel pump, ignition, starter (s/n 440612 and above)	3
3	RS5084	<b>Bolt</b> , circuit breaker mounting	2
4	R153006C	<b>Circuit Breaker Assembly (60 amp)</b>	1
5	R090250	<b>Bracket</b> , ECM/relay mounting	1
6	R153017B	<b>Fuses</b> , 20 amp	3
7	R126014	<b>Cover</b> , fuse holder	1
8	93920000	<b>Lockwasher</b> , bracket attaching bolt	2
9	98223016	<b>Bolt</b> , bracket attaching	2
10	RS2178	<b>Washer</b> , ECM attaching	2
11	RS0254	<b>Bolt</b> , ECM attaching	2

ACCESSORY DRIVE SYSTEM COMPONENTS (BELT DRIVEN RAW WATER PUMP) - FIGURE 31

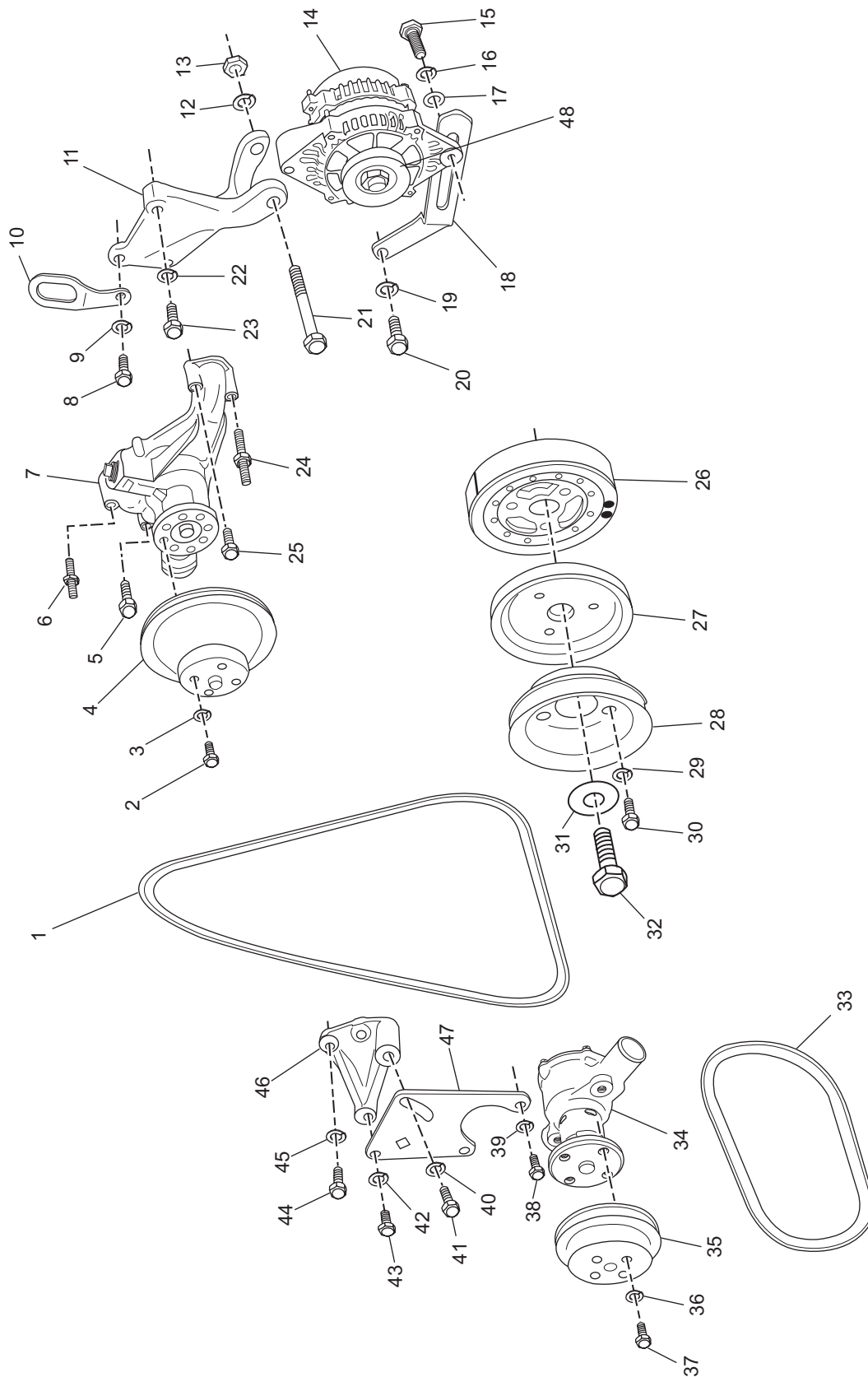


PC57B017

## ACCESSORY DRIVE SYSTEM COMPONENTS (BELT DRIVEN RAW WATER PUMP) - FIGURE 31

ITEM	PART NUMBER	DESCRIPTION	QUANTITY
1	R066008	<b>Belt</b> , alternator drive	1
2	RS0775	<b>Bolt</b> , water pump pulley attaching	4
3	RS2179	<b>Lockwasher</b> , water pump pulley attaching bolt	4
4	R065049	<b>Pulley</b> , water pump	1
5	90305275	<b>Bolt</b> , water pump mounting	1
6	R095026	<b>Stud</b> , water pump mounting	1
7	RA057027	<b>Water Pump Assembly</b>	1
8	RS0305	<b>Bolt</b> , lift bracket attaching	2
9	RS2180	<b>Lockwasher</b> , lift bracket attaching bolt	2
10	R042008	<b>Bracket</b> , lift	1
11	R090075	<b>Bracket</b> , alternator mounting	1
12	RS2180	<b>Lockwasher</b> , alternator mounting	1
13	RS1028	<b>Nut</b> , alternator mounting	1
14	RA097007B	<b>Alternator Assembly</b>	1
15	RS6531	<b>Bolt</b> , alternator mounting	1
16	RS2180	<b>Lockwasher</b> , alternator mounting bolt	1
17	RS2673	<b>Washer</b> , alternator mounting bolt	1
18	R099009	<b>Bracket</b> , alternator mounting (adj. strap)	1
19	RS2180	<b>Lockwasher</b> , alternator bracket attaching bolt	1
20	RS0304	<b>Bolt</b> , alternator bracket attaching	1
21	RS0315	<b>Bolt</b> , alternator mounting	1
22	RS2180	<b>Lockwasher</b> , alternator bracket attaching bolt	1
23	RS0306	<b>Bolt</b> , alternator bracket attaching	1
24	R095026	<b>Stud</b> , water pump mounting	1
25	90305175	<b>Bolt</b> , water pump mounting	1
26	R064010A	<b>Balancer</b> , crankshaft	1
27	R065048	<b>Pulley</b> , alternator drive belt	1
28	R065046	<b>Pulley</b> , raw water pump drive belt	1
29	RS2180	<b>Lockwasher</b> , pulleys to crankshaft balancer bolt	3
30	90315100	<b>Bolt</b> , pulleys to crankshaft balancer	3
31	R096074	<b>Washer</b> , crankshaft balancer	1
32	R009091	<b>Bolt</b> , crankshaft balancer	1
33	R066026	<b>Belt</b> , raw water pump drive	1
34	RA057031	<b>Raw Water Pump Assembly</b>	1
35	R065047	<b>Pulley</b> , raw water pump	1
36	RS2179	<b>Lockwasher</b> , raw water pump pulley attaching bolt	3
37	RS0775	<b>Bolt</b> , raw water pump pulley attaching	3
38	RS0282	<b>Bolt</b> , raw water pump mounting	2

ACCESSORY DRIVE SYSTEM COMPONENTS (BELT DRIVEN RAW WATER PUMP) - FIGURE 31

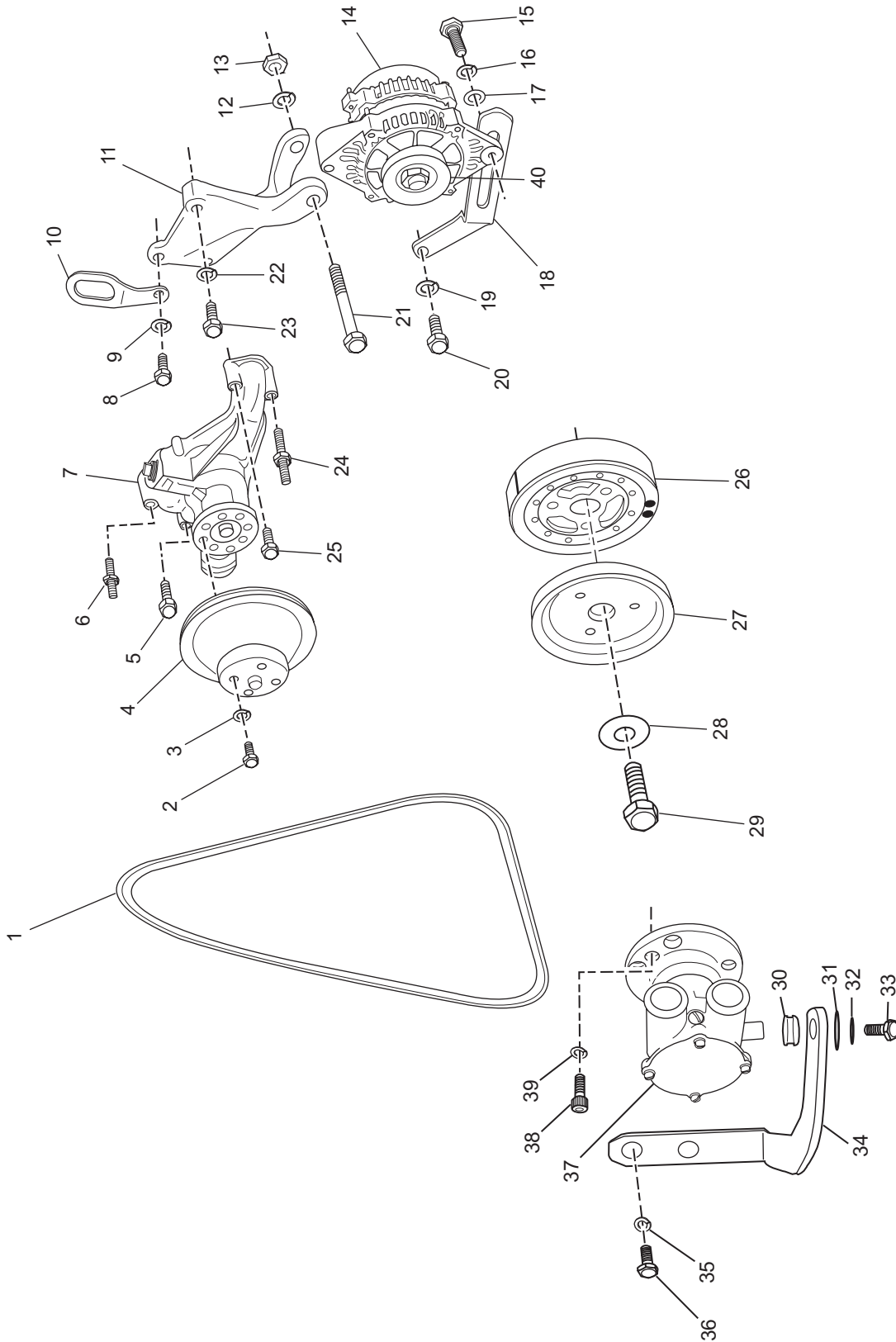


PC57B017

## ACCESSORY DRIVE SYSTEM COMPONENTS (BELT DRIVEN RAW WATER PUMP) - FIGURE 31

ITEM	PART NUMBER	DESCRIPTION	QUANTITY
39	RS2179	<b>Lockwasher</b> , raw water pump mounting bolt	2
40	RS2181	<b>Lockwasher</b> , bracket attaching bolt	1
41	RS0327	<b>Bolt</b> , bracket attaching	1
42	RS2181	<b>Lockwasher</b> , bracket attaching bolt	1
43	RS0327	<b>Bolt</b> , bracket attaching	1
44	RS0307	<b>Bolt</b> , bracket attaching	2
45	RS2180	<b>Lockwasher</b> , bracket attaching bolt	2
46	R090264	<b>Bracket</b> , raw water pump	1
47	R090263	<b>Bracket</b> , raw water pump	1
48	TBD	<b>Pulley</b> , alternator	1

ACCESSORY DRIVE SYSTEM COMPONENTS (CRANK-MOUNTED RAW WATER PUMP) -  
FIGURE 32



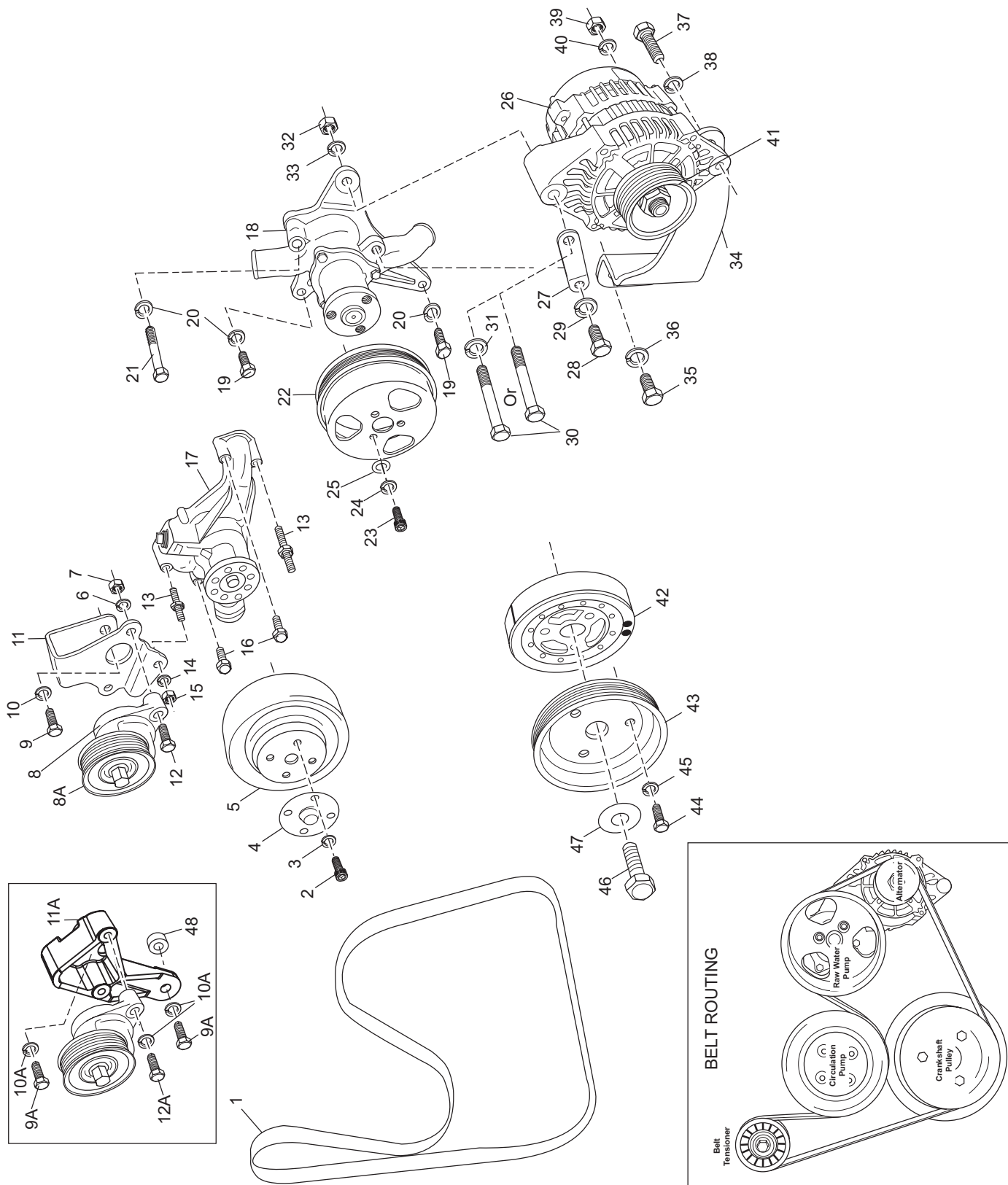
PC57B029



ACCESSORY DRIVE SYSTEM COMPONENTS (CRANK-MOUNTED RAW WATER PUMP) -  
FIGURE 32

ITEM	PART NUMBER	DESCRIPTION	QUANTITY
1	R066008	<b>Belt</b> , alternator drive	1
2	RS0775	<b>Bolt</b> , water pump pulley attaching	4
3	RS2179	<b>Lockwasher</b> , water pump pulley attaching bolt	4
4	R065049	<b>Pulley</b> , water pump	1
5	90305275	<b>Bolt</b> , water pump mounting	1
6	R095026	<b>Stud</b> , water pump mounting	1
7	RA057027	<b>Water Pump Assembly</b>	1
8	RS0305	<b>Bolt</b> , lift bracket attaching	2
9	RS2180	<b>Lockwasher</b> , lift bracket attaching bolt	2
10	R042008	<b>Bracket</b> , lift	1
11	R090075	<b>Bracket</b> , alternator mounting	1
12	RS2180	<b>Lockwasher</b> , alternator mounting	1
13	RS1028	<b>Nut</b> , alternator mounting	1
14	RA097007B	<b>Alternator Assembly</b>	1
15	RS6531	<b>Bolt</b> , alternator mounting	1
16	RS2179	<b>Lockwasher</b> , alternator mounting bolt	1
17	RS2673	<b>Washer</b> , alternator mounting bolt	1
18	R099009	<b>Bracket</b> , alternator mounting (adj. strap)	1
19	RS2180	<b>Lockwasher</b> , alternator bracket attaching bolt	1
20	RS0304	<b>Bolt</b> , alternator bracket attaching	1
21	RS0315	<b>Bolt</b> , alternator mounting	1
22	RS2180	<b>Lockwasher</b> , alternator bracket attaching bolt	1
23	RS0306	<b>Bolt</b> , alternator bracket attaching	1
24	R095026	<b>Stud</b> , water pump mounting	1
25	90305275	<b>Bolt</b> , water pump mounting	1
26	R064010A	<b>Balancer</b> , crankshaft	1
27	R065045	<b>Pulley</b> , alternator drive belt	1
28	R096074	<b>Washer</b> , crankshaft balancer	1
29	R009091	<b>Bolt</b> , crankshaft balancer	1
30	R094038	<b>Grommet</b> , rubber	1
31	RS2673	<b>Flat Washer</b> , mounting bolt	1
32	RS2179	<b>Lock Washer</b> , mounting bolt	1
33	RS0280	<b>Bolt</b> , raw water pump mounting	1
34	R090177A	<b>Bracket</b> , raw water pump mounting	1
35	RS2181	<b>Washer</b> , raw water pump mounting bracket	2
36	RS0302	<b>Bolt</b> , raw water pump mounting bracket	2
37	RA057026	<b>Raw Water Pump Assembly</b>	1
38	R009161	<b>Bolt</b> , raw water pump-to-balancer mounting	3
39	RS2180	<b>Lockwasher</b> , raw water pump-to-balancer mounting	3
40	TBD	<b>Pulley</b> , alternator	1

ACCESSORY DRIVE SYSTEM COMPONENTS (SERPENTINE RAW WATER PUMP) - FIGURE 33

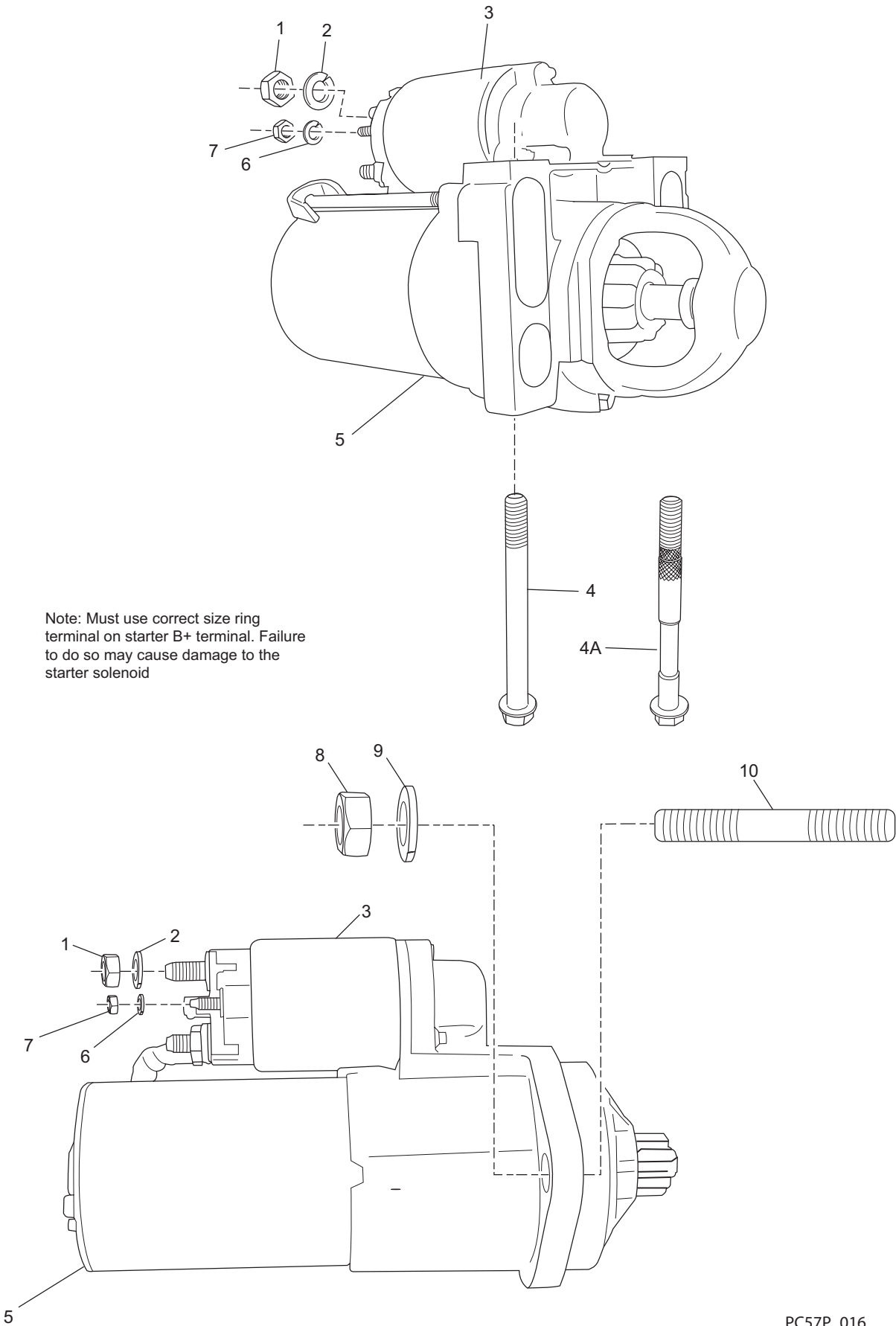


PC57B029a\_05

## ACCESSORY DRIVE SYSTEM COMPONENTS (SERPENTINE RAW WATER PUMP) - FIGURE 33

ITEM	PART NUMBER	DESCRIPTION	QUANTITY
1	R066028	<b>Belt</b> , serpentine drive	1
2	90274075	<b>Bolt</b> , water pump pulley attaching	4
3	RS2307	<b>Lockwasher</b> , water pump pulley attaching bolt	4
4	R096147	<b>Cover</b> , water pump pulley	1
5	R065053	<b>Pulley</b> , water pump (5.7L: Red)	1
5	R065053A	<b>Pulley</b> , water pump (5.0L: Black)	1
6	RS2180	<b>Lockwasher</b> , belt tensioner attaching	2
7	RS1028	<b>Nut</b> , belt tensioner attaching	2
8	RA068001	<b>Belt Tensioner Assembly</b>	1
8A	R065057	<b>Pulley</b> , Belt Tensioner	1
9	RS0304	<b>Bolt</b> , tensioner bracket attaching	1
9A	TBD	<b>Bolt</b> , cast tensioner bracket attaching	1
10	RS2180	<b>Lockwasher</b> , tensioner bracket attaching	1
10A	TBD	<b>Lockwasher</b> , cast tensioner bracket attaching	1
11	R090287	<b>Bracket</b> , belt tensioner mounting	1
11A	R090287A	<b>Bracket, Cast</b> , belt tensioner mounting (replaces R090287)	1
12	RS0307	<b>Bolt</b> , belt tensioner attaching	2
12A	TBD	<b>Bolt</b> , cast belt tensioner attaching	2
13	R095026	<b>Stud</b> , water pump mounting	2
14	RS2179	<b>Lockwasher</b> , belt tensioner attaching	1
15	RS1527	<b>Nut</b> , belt tensioner attaching	1
16	90305275	<b>Bolt</b> , water pump mounting	2
17	RA057027	<b>Water Pump Assembly</b>	1
18	RA057034	<b>Raw Water Pump Assembly</b>	1
19	RS0305	<b>Bolt</b> , raw water pump attaching	2
20	RS2180	<b>Lockwasher</b> , raw water pump attaching	3
21	90305300	<b>Bolt</b> , raw water pump attaching	1
22	R065052	<b>Pulley</b> , raw water pump	1
23	99335016	<b>Bolt</b> , RWP pulley attaching	3
24	93934000	<b>Lockwasher</b> , RWP pulley attaching	3
25	92934000	<b>Flatwasher</b> , RWP pulley attaching	3
26	RA097007C	<b>Alternator Assembly, 70A</b>	1
26	RA097009	<b>Alternator Assembly, 100A</b>	1
NI	RF097009B	<b>Retrofit Kit</b> , 100A Alternator (5.7L)	AR
NI	R121081A	<b>Harness</b> , Jumper, adapt 70A engine harness to 100A alt.	AR
NI	R101015	<b>Ground Lead</b> , Alternator (54", 5.0/5.7/8.1L)	1
NI	R101017	<b>Wire</b> , Charge, Alternator (5.0/5.7L)	1
NI	R153018A	<b>Wire</b> , Fused, starter to circuit breaker (5.0/5.7/6.0L)	1
27	R090289	<b>Bracket</b> , Alternator, Strap, upper mounting	1
28	RS0304	<b>Bolt</b> , Alternator strap mounting	1
29	RS2180	<b>Lockwasher</b> , Alternator strap mounting	1
30	RS0454	<b>Bolt</b> , Alternator mounting, upper, through bolt mount	1
30	RS0311	<b>Bolt</b> , Alternator mounting, upper, tapped mount	1
31	RS2180	<b>Lockwasher</b> , Alternator mounting bolt, upper, tapped mnt.	1
32	RS1028	<b>Nut</b> , Alternator mounting bolt, upper, through mount	1
33	RS2180	<b>Lockwasher</b> , Alternator mounting bolt, upper, through mnt.	1
34	R090288	<b>Bracket</b> , Alternator mounting, lower	1
35	RS0304	<b>Bolt</b> , Alternator bracket attaching, lower	1
36	RS2180	<b>Lockwasher</b> , Alternator bracket attaching bolt, lower	1
37	98333025	<b>Bolt</b> , Alternator mounting, lower	1
38	RS2179	<b>Lockwasher</b> , Alternator mounting bolt, lower	1
39	97220060	<b>Nut</b> , KEPS, Alternator Positive Post, 70A	1
39	97330060	<b>Nut</b> , KEPS, Alternator Positive Post, 100A	1
40	92920000	<b>Washer</b> , Flat, Alternator Positive Post 70A (only)	1
41	R065055	<b>Pulley</b> , Alternator (5.X/6.0), serpentine	1
42	R064010A	<b>Balancer</b> , crankshaft	1
43	R065051	<b>Pulley</b> , crank, serpentine	1
44	90315100	<b>Bolt</b> , drive belt pulley attaching	3
45	RS2180	<b>Lockwasher</b> , drive belt pulley attaching bolt	3
46	R009091	<b>Bolt</b> , crankshaft balancer	1
47	R096074	<b>Washer</b> , crankshaft balancer	1
48	R062089	<b>Spacer</b> , tensioner bracket (V-drive)	1

STARTER ASSEMBLY COMPONENTS - FIGURE 34



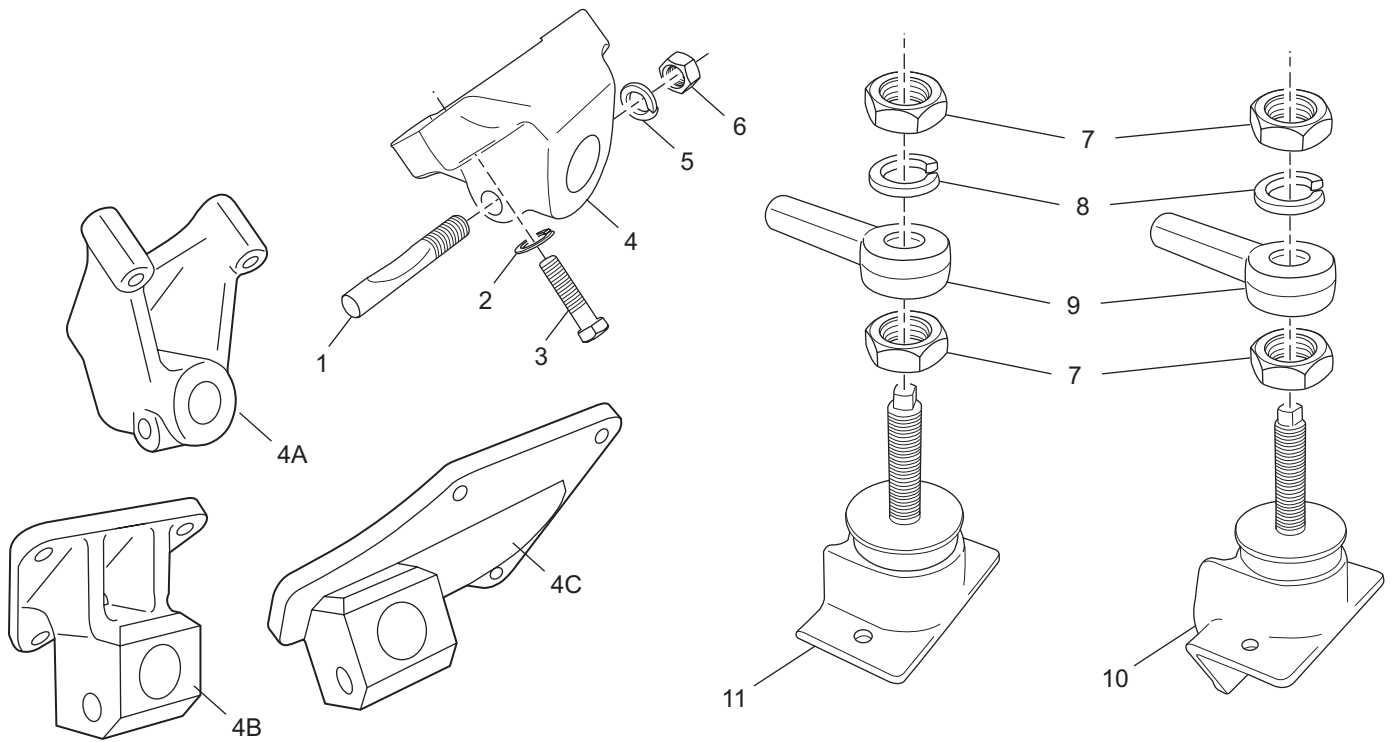
PC57P\_016  
08-12-05

## STARTER ASSEMBLY COMPONENTS - FIGURE 34

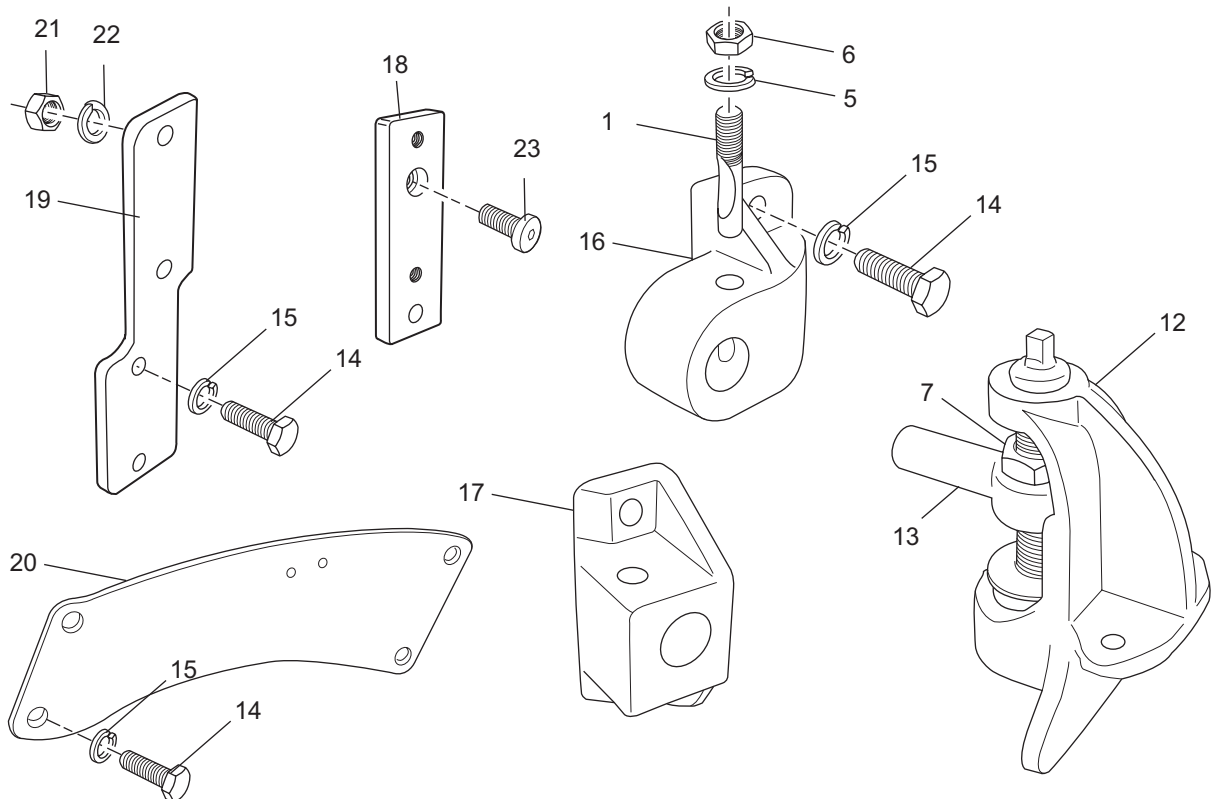
ITEM	PART NUMBER	DESCRIPTION	QUANTITY
1	RS7018	<b>Nut</b> , solenoid terminal	1
2	RS7080	<b>Lockwasher</b> , solenoid terminal	1
3	RU0050B	<b>Solenoid</b> , starter	1
4	R009167	<b>Bolt</b> , starter mounting	2
4A	R009167A	<b>Bolt</b> , starter mounting, special offset	AR
5	RA122015	<b>Starter Motor Assembly</b> (bottom mount)	1
5	RA122009	<b>Starter Motor Assembly</b> (top mount)	AR
6	93003000	<b>Lockwasher</b> , solenoid terminal	1
7	RS7036	<b>Nut</b> , solenoid terminal	1
8	RS1029	<b>Nut</b> , starter mounting (top mount)	2
9	RS2181	<b>Lockwasher</b> , starter mounting (top mount)	2
10	R031018	<b>Stud</b> , starter mounting (top mount)	2

ENGINE and TRANSMISSION MOUNTS - FIGURE 35

Engine Mount Group  
Front Mount



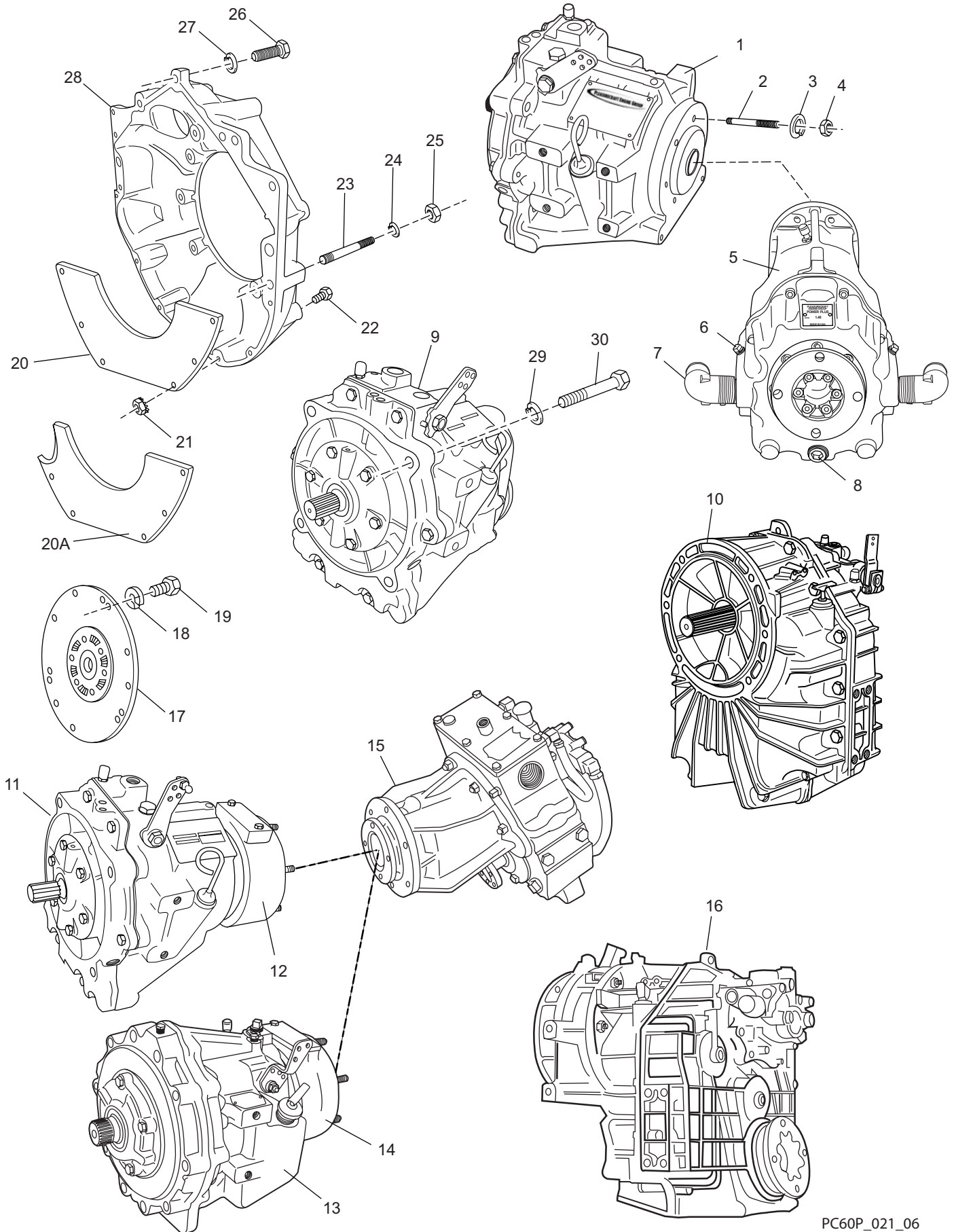
Engine Mount Group  
Rear Mount



## ENGINE and TRANSMISSION MOUNTS - FIGURE 35

ITEM	PART NUMBER	DESCRIPTION	QUANTITY
1	R095020	<b>Bolt</b> , trunnion clamp	2
2	RS2180	<b>Lockwasher</b> , engine mount attaching bolt	6
3	RS0306	<b>Bolt</b> , engine mount attaching (R090071)	6
3	RS0311	<b>Bolt</b> , engine mount attaching (R090071A)	4
NI	RS3442	<b>Stud</b> , engine mount attaching (R090071A)	2
NI	RS1028	<b>Nut</b> , engine mount attaching (R090071A)	2
4	R090071	<b>Mount</b> , engine front, short	2
4A	R090071A	<b>Mount</b> , engine front, tall	AR
4B	R090071C	<b>Mount</b> , engine front	AR
4C	R090317	<b>Mount</b> , engine front, 5.7 to 5.8 footprint (star)	AR
NI	R090316	<b>Mount</b> , engine front, 5.7 to 5.8 footprint (port)	AR
5	RS2181	<b>Lockwasher</b> , trunnion clamp bolt	2
6	RS1529	<b>Nut</b> , trunnion clamp bolt	2
7	RS1075	<b>Nut</b> , adjustment and lock	4
8	RS2186	<b>Lockwasher</b> , adjusting nut	2
9	R091001	<b>Trunnion, long</b>	AR
9	R091007	<b>Trunnion</b> , short, used with R090071	2
10	RC091001	<b>Trunnion Assembly</b>	2
11	RA092016	<b>Trunnion Assembly</b>	2
12	RA092011	<b>Trunnion Assembly</b> , tall (1.23:1 STD / V-drive) Used with item #17 - R090145 mount	2
12	RA092011A	<b>Trunnion Assembly</b> , tall (1.23:1 STD / V-drive) Used with item #16 - R090205 mount	2
12	RA091003	<b>Trunnion Assembly</b> , short (1.0:1 STD) Used with item #17 - R090145 mount	2
12	RA091006	<b>Trunnion Assembly</b> , short (1.0:1 STD) Used with item #16 - R090205 mount	2
13	R091003	<b>Trunnion</b> , 2.5" (use with R090145)	2
13	R091006	<b>Trunnion</b> , 2.125" (use with R090205)	2
14	RS0327	<b>Bolt</b> , rear mount attaching (R109054, R090318-lower)	4
14	RS0328	<b>Bolt</b> , rear mount attaching (R090145)	4
14	RS0329	<b>Bolt</b> , rear mount attaching (R090205)	4
14	RS0330	<b>Bolt</b> , rear mount attaching (R090318-upper)	4
15	RS2181	<b>Lockwasher</b> , rear mount attaching bolt	4
16	R090205	<b>Mount</b> , rear	2
17	R090145	<b>Mount</b> , rear	2
18	R169062	<b>Shim</b> , Mount, rear	AR
NI	R169063	<b>Spacer</b> , Mount, rear, 2"	AR
19	R090318	<b>Mount</b> , PCM V-DRV (use with RA092016, item 11)	2
20	R109054	<b>Plate</b> , brace,PCM V-DRV used when there is no mount	2
21	RS1029	<b>Nut</b> , rear mount attaching (R090318)	4
22	RS2181	<b>Lockwasher</b> , rear mount attaching (R090318)	4
23	90465100	<b>Bolt</b> , shim mount attaching (R169062)	2

BELL HOUSING ASSEMBLY - FIGURE 36



PC60P\_021\_06  
01-25-06

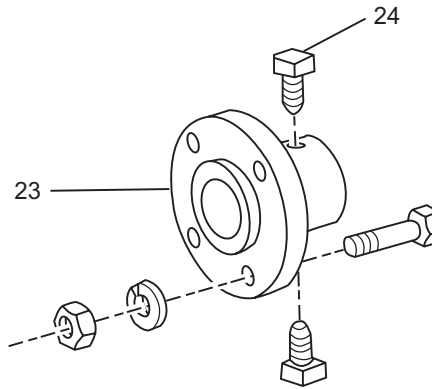
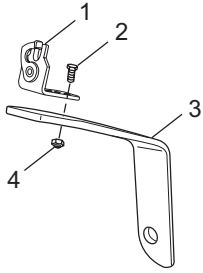


## BELL HOUSING ASSEMBLY - FIGURE 36

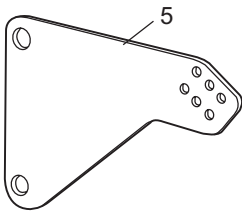
ITEM	PART NUMBER	DESCRIPTION	QUANTITY
1	RA157015	<b>Transmission Assembly</b> , IRM40S, PCM to PCM V-DRV	AR
2	R031035	<b>Stud</b> , PCM V-DRV to transmission attaching	8
3	RS2179	<b>Lockwasher</b> , PCM V-DRV to transmission attaching	8
4	RS7026	<b>Nut</b> , PCM V-DRV to transmission attaching	8
5	RA156011B	<b>PCM Power-Plus V-Drive Assembly</b> , 1.48:1	AR
NI	R190250	<b>Gear Lube</b> , synthetic SAE 50, PCM V-DRV (1 qt.)	AR
6	TBD	<b>Plug</b> , brass, oil fill/drain, PCM V-DRV	2
7	97854	<b>Fitting</b> , brass elbow 90°, PCM V-DRV	2
8	RS3633	<b>Plug</b> , brass, raw water drain, 1/2" square socket	1
9	RA157017	<b>Transmission Assembly</b> , IRM40A, 1.23:1 PCM	AR
10	RA156009	<b>Transmission Assembly</b> , 630V, HURTH 1.29:1	AR
10	RA156009A	<b>Transmission Assembly</b> , 630V, HURTH, 1.5:1	AR
11	RA157016	<b>Transmission Assembly</b> , IRM40I, 1.0:1 PCM	AR
12	R079056	<b>Adapter</b> , V-Drive, PCM to Walter	AR
13	RA157001	<b>Transmission Assembly</b> , 1.0:1 Warner (71C)	AR
13	RA157003	<b>Transmission Assembly</b> , 1.0:1 Warner (72C)	AR
13	RA157001A	<b>Transmission Assembly</b> , (71C w/v-drive adapter)	AR
14	R079072	<b>Adapter</b> , V-Drive, Warner to Walter	AR
15	RA156004	<b>V-Drive Assembly</b> , Walters, 1.46:1	AR
16	RA156010	<b>Transmission Assembly</b> , 90VTS, ZF 2-speed	AR
NI	RK104013	<b>Connector Kit</b> , ZF 2-speed	AR
17	R140004	<b>Plate</b> , damper (Warner Transmissions, 5.0/5.7L)	1
17	R140016	<b>Plate</b> , damper (PCM Transmissions)	1
17	R140019	<b>Plate</b> , damper (Hurth Transmission/2-speed)	1
18	RS2180	<b>Lockwasher</b> , damper plate attaching bolt	4
19	R009092	<b>Bolt</b> , damper plate attaching	4
20	R019008	<b>Cover</b> , dust (use w/top mount starter)	1
20A	R019008A	<b>Cover</b> , dust (use w/bottom mount starter)	1
21	RS1078	<b>Nut</b> , dust cover attaching	2
22	RS0256	<b>Bolt</b> , dust cover attaching	2
23	R031033	<b>Stud</b> , bellhousing attaching	2
24	RS2180	<b>Lockwasher</b> , bellhousing attaching	2
25	RS1028	<b>Nut</b> , bellhousing attaching	2
26	98443050	<b>Bolt</b> , bellhousing attaching	3
27	93940000	<b>Lockwasher</b> , bellhousing attaching	3
28	R142014	<b>Bellhousing</b> , top or bottom mount starter	1
28	R142006B	<b>Bellhousing</b> , bottom mount starter, only	1
NI	R019010	<b>Cover</b> , dust, top mount starter (used w/R019008A)	1
NI	RS0327	<b>Bolt</b> , dust cover attaching	2
NI	RS2181	<b>Lockwasher</b> , dust cover attaching <b>** PCM **</b>	2
29	RS2180	<b>Lockwasher</b> , transmission attaching bolt	4
30	RS0329	<b>Bolt</b> , transmission attaching <b>**Velvet Drive **</b>	4
NI	96541	<b>Stud</b> , transmission mounting (4")	2
NI	RS2181	<b>Lockwasher</b> , transmission mounting	6
NI	RS1029	<b>Nut</b> , transmission mounting stud	2
NI	RS0337	<b>Bolt</b> , transmission mounting <b>**Hurth Gears**</b>	4
NI	R031018	<b>Stud</b> , transmission mounting (1 5/8")	2
NI	RS2181	<b>Lockwasher</b> , transmission mounting	6
NI	RS1029	<b>Nut</b> , transmission mounting stud	2
NI	RS0329	<b>Bolt</b> , transmission mounting	4

TRANSMISSION AND RELATED COMPONENTS (1.23:1 FWC) - FIGURE 37

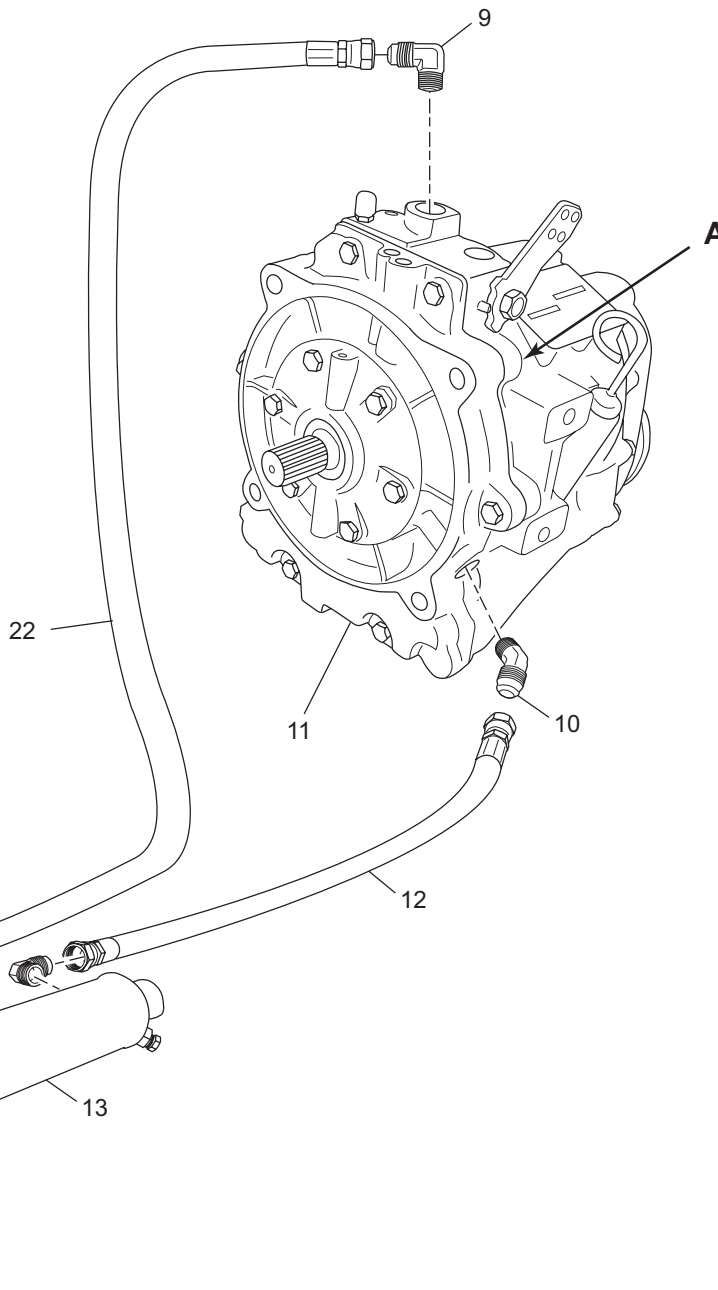
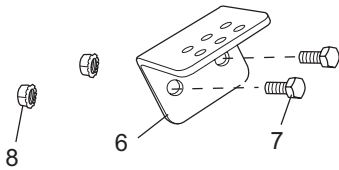
**A - FRONT MOUNT  
SHIFT BRACKET**



**PCM V-DRV SHIFT  
BRACKET**



**15-570V-02  
15-570V-04**

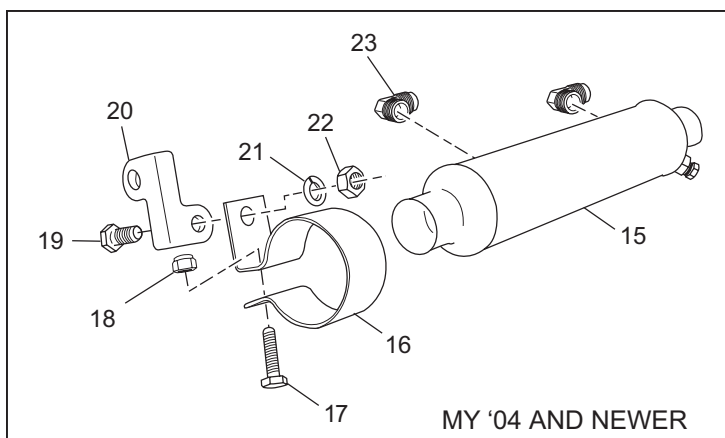
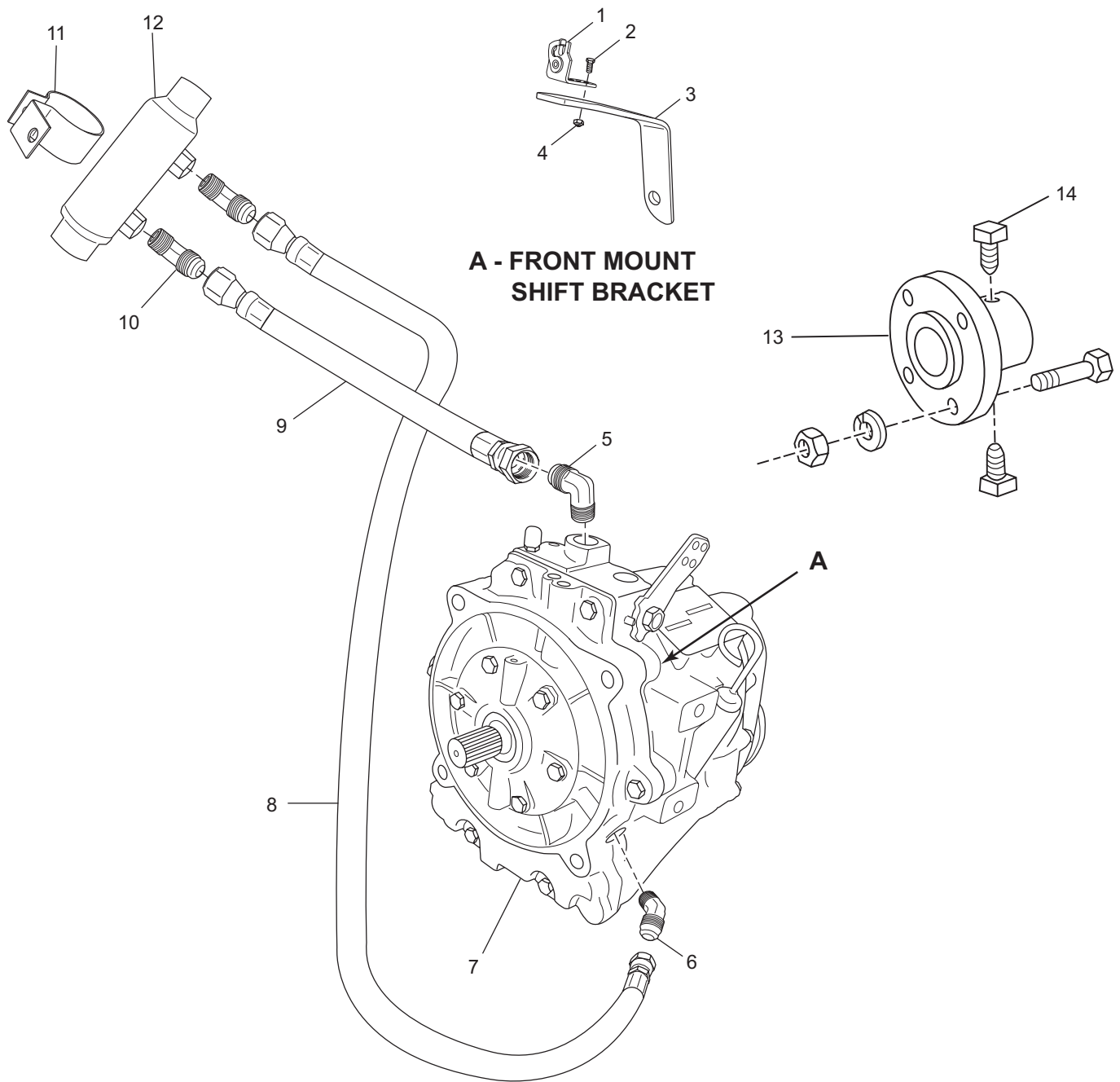


PCB57035

## TRANSMISSION AND RELATED COMPONENTS (1.23:1 FWC) - FIGURE 37

ITEM	PART NUMBER	DESCRIPTION	QUANTITY
1	R090086	<b>Cable Clip</b> , single cable	1
2	RS5122	<b>Bolt</b> , cable clip attaching	2
3	R090143	<b>Bracket</b> , shift (RWC)	1
3	R090143A	<b>Bracket</b> , shift (FWC)	1
4	RS2055	<b>Nut</b> , cable clip attaching bolt	2
5	R090319	<b>Bracket</b> , shift (PCM V-DRV)	1
6	R090348	<b>Bracket</b> , shift (PCM V-DRV, attaches to R109054)	1
7	RS5124	<b>Bolt</b> , bracket attaching	2
8	RS1078	<b>Nut</b> , KEPS, bracket attaching bolt	2
9	R024010	<b>Fitting</b> , 90 degree	1
10	R024053	<b>Fitting</b> , 45 degree	1
11	RA157017	<b>Transmission</b> , 1.23:1	1
12	RA045007S	<b>Hose Assembly</b> , cooler to transmission	1
13	R147014	<b>Oil Cooler Assembly</b> , transmission	1
14	R090010	<b>Clamp</b> , oil cooler assembly mounting	1
15	RS0256	<b>Bolt</b> , oil cooler attaching	1
16	RS1078	<b>Nut</b> , oil cooler attaching	1
17	RS0302	<b>Bolt</b> , oil cooler clamp attaching	1
18	R090013A	<b>Bracket</b> , oil cooler mounting	1
19	RS2180	<b>Lockwasher</b> , oil cooler clamp attaching bolt	1
20	RS1028	<b>Nut</b> , oil cooler clamp attaching bolt	1
21	R024010	<b>Fitting</b> , 90 degree	2
22	RA045007T	<b>Hose Assembly</b> , transmission to cooler	1
23	R148010	<b>Coupler</b> , prop shaft (4" X 1" shaft)	OPT
23	R148011	<b>Coupler</b> , prop shaft (4" X 1 1/8" shaft)	OPT
24	2000090	<b>Screw</b> , set - coupler	2

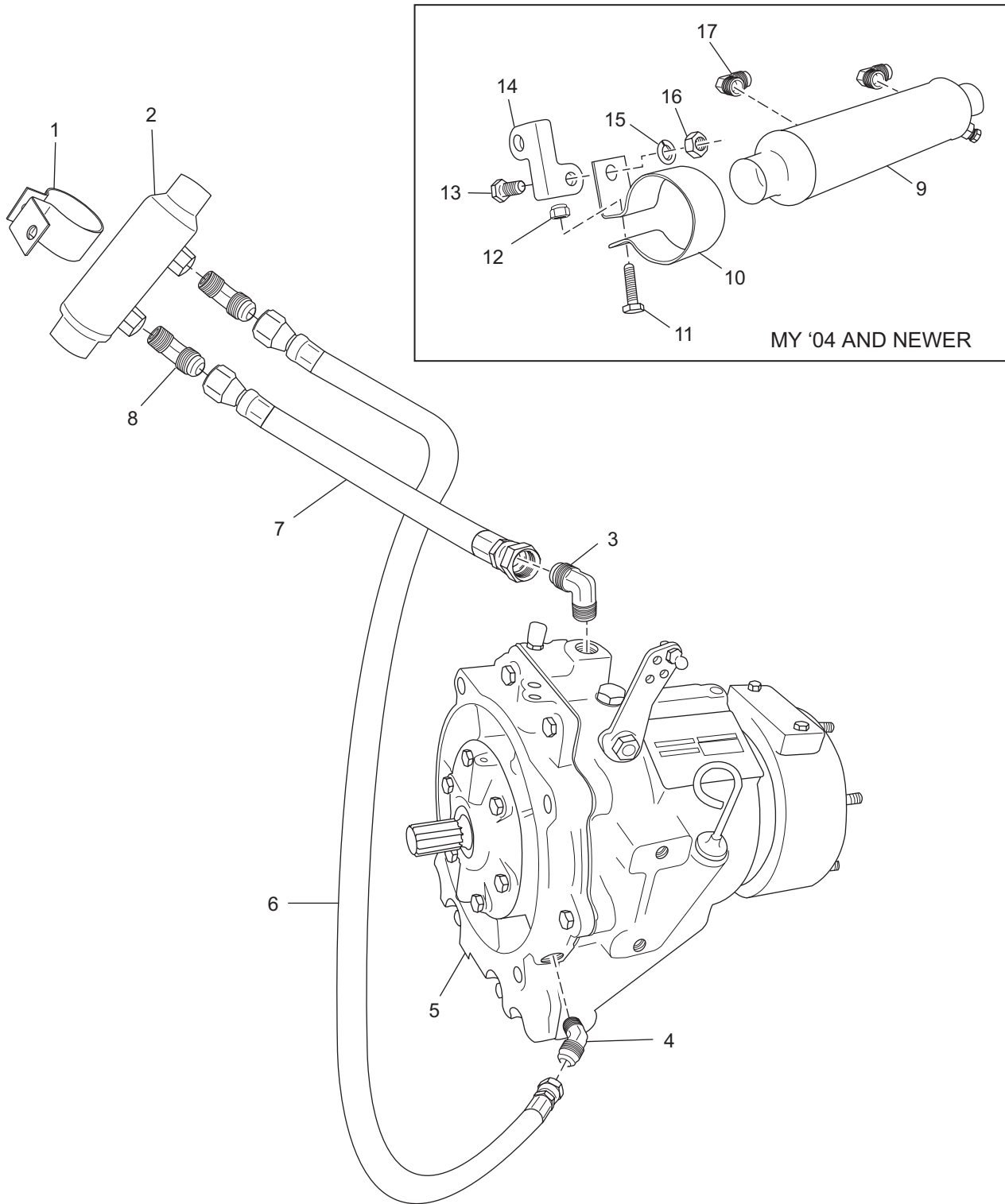
TRANSMISSION AND RELATED COMPONENTS (1.23:1 RWC) - FIGURE 38



## TRANSMISSION AND RELATED COMPONENTS (1.23:1 RWC) - FIGURE 38

ITEM	PART NUMBER	DESCRIPTION	QUANTITY
1	R090086	<b>Cable Clip</b> , single cable	1
2	RS5122	<b>Bolt</b> , cable clip attaching	2
3	R090143	<b>Bracket</b> , shift (RWC)	1
3	R090143A	<b>Bracket</b> , shift (FWC)	1
4	RS2055	<b>Nut</b> , cable clip attaching bolt	2
5	R024010	<b>Fitting</b> , 90 degree	1
6	R024053	<b>Fitting</b> , 45 degree	1
7	RA157017	<b>Transmission</b> , 1.23:1	1
8	RA045007B	<b>Hose Assembly</b> , cooler to transmission	1
8	RA045007S	<b>Hose Assembly</b> , cooler to transmission (MY '04 to present)	1
9	RA045007K	<b>Hose Assembly</b> , transmission to cooler	1
9	RA045007T	<b>Hose Assembly</b> , transmission to cooler (MY '04 to present)	1
10	R024010	<b>Fitting</b> , 90 degree	2
11	R090010	<b>Clamp</b> , oil cooler assembly mounting	1
12	R147014	<b>Oil Cooler Assembly</b> , transmission	1
13	R148010	<b>Coupler</b> , prop shaft (4" X 1" shaft)	OPT
13	R148011	<b>Coupler</b> , prop shaft (4" X 1 1/8" shaft)	OPT
14	2000090	<b>Screw</b> , set - coupler	2
15	R147014	<b>Cooler Assembly</b> , transmission (MY '04 to present)	1
16	R090010	<b>Clamp</b> , cooler assembly mounting (MY '04 to present)	1
17	RS0256	<b>Bolt</b> , cooler attaching (MY '04 to present)	1
18	RS1078	<b>Nut</b> , cooler attaching (MY '04 to present)	1
19	RS0302	<b>Bolt</b> , cooler clamp attaching (MY '04 to present)	1
20	R090013A	<b>Bracket</b> , cooler mounting (MY '04 to present)	1
21	RS2180	<b>Lockwasher</b> , cooler clamp attaching bolt (MY '04 to present)	1
22	RS1028	<b>Nut</b> , oil cooler clamp attaching bolt (MY '04 to present)	1
23	R024010	<b>Fitting</b> , 90 degree (MY '04 to present)	2

TRANSMISSION AND RELATED COMPONENTS (1.0:1 "V" - DRIVE) - FIGURE 39



PCB57036\_06

## TRANSMISSION AND RELATED COMPONENTS (1.0:1 "V" - DRIVE) - FIGURE 39

ITEM	PART NUMBER	DESCRIPTION	QUANTITY
1	R090010	<b>Bracket</b> , oil cooler mounting	1
2	R147014	<b>Cooler</b> , oil , transmission	1
3	R024010	<b>Fitting</b> , 90 degree	1
4	R024053	<b>Fitting</b> , 45 degree	1
5	RA157016	<b>Transmission</b> , 1.0:1, (w/R079056 Adapter)	1
6	RA045007B	<b>Hose Assembly</b> , cooler to transmission	1
6	RA045007S	<b>Hose Assembly</b> , cooler to transmission (MY '04 to present)	1
7	RA045007K	<b>Hose Assembly</b> , transmission to cooler	1
7	RA045007T	<b>Hose Assembly</b> , transmission to cooler (MY '04 to present)	1
8	R024010	<b>Fitting</b> , 90 degree	2
9	R147014	<b>Cooler Assembly</b> , transmission (MY '04 to present)	1
10	R090010	<b>Clamp</b> , cooler assembly mounting (MY '04 to present)	1
11	RS0256	<b>Bolt</b> , cooler attaching (MY '04 to present)	1
12	RS1078	<b>Nut</b> , cooler attaching (MY '04 to present)	1
13	RS0302	<b>Bolt</b> , cooler clamp attaching (MY '04 to present)	1
14	R090013A	<b>Bracket</b> , cooler mounting (MY '04 to present)	1
15	RS2180	<b>Lockwasher</b> , cooler clamp attaching bolt (MY '04 to present)	1
16	RS1028	<b>Nut</b> , oil cooler clamp attaching bolt (MY '04 to present)	1
17	R024010	<b>Fitting</b> , 90 degree (MY '04 to present)	2